



DDAC series

Technische gegevens



Total Airflow Control Technology

T 0320 - 28 61 81 | www.auerhaan-klimaattechniek.nl

Als het om lucht gaat.

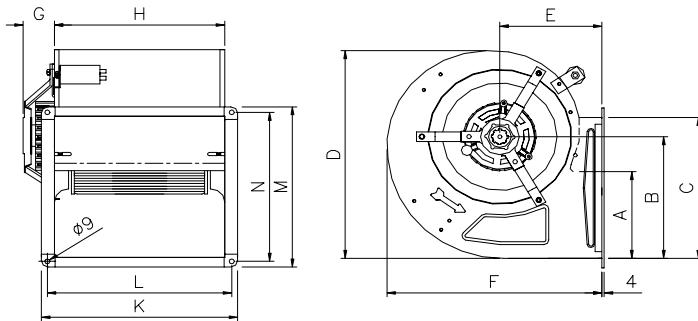
FAN TECHNICAL DATA

ID CODE	710065
FAN NAME	DD 6-6-14 1/16 BB
SUPPLY	230 V - 50 Hz
MOTOR	1/16 4PO BB (C0014.00)
CAPACITOR	4 μ F
THERMAL PROTECTION	Incorporated
IP CLASS	44
THERMAL CLASS	B
CONFORMITY	CE
SPEED CONTROL	ES3

NOMINAL INSTALLATION DATA

	Pressure (Pa)	Amps (A)	Abs.Power (W)	Max air T°(TM) (°C)
Minimum	50	0,88	200	45
Maximum	250	0,52	114	60

DIMENSIONS

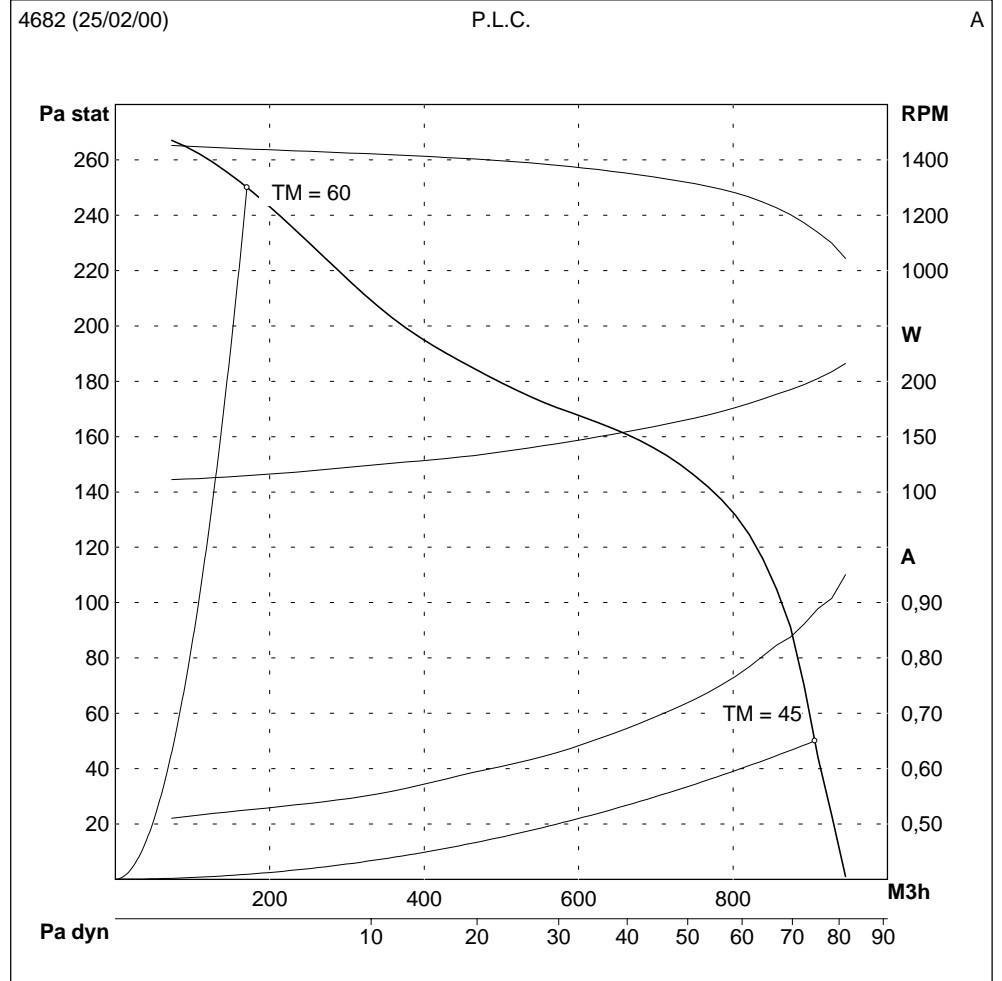


A	B	C	D	E	F	G	H	K	L	M	N
106	164	210	291	125	270	22	213	259	238	246	225

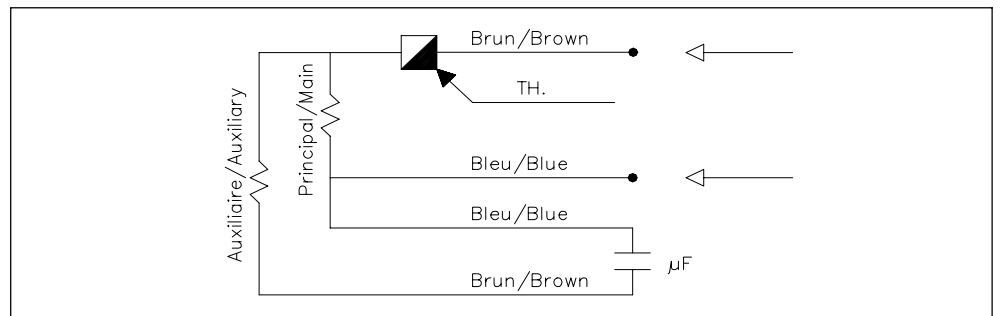
We are constantly working to make our products better and more reliable. Therefore we cannot guarantee data update.
Therefore, although we put a lot of care in the making of our documentation, we cannot be held responsible for any error and/or omissions that could have slipped in.

PERFORMANCE CURVES

measured in our laboratory according to AMCA/ASHRAE 210.85 fig.12



WIRING DIAGRAM



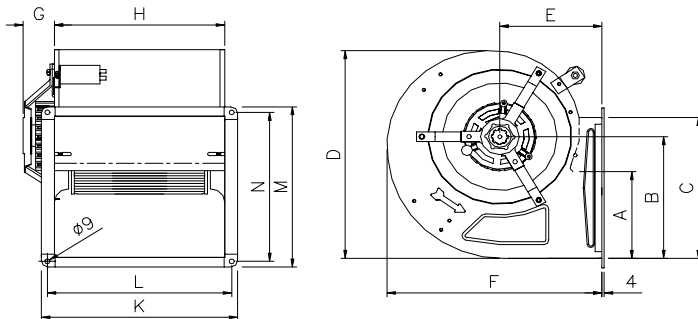
FAN TECHNICAL DATA

ID CODE	710069
FAN NAME	DD 7-7-14 1/8 BB
SUPPLY	230 V - 50 Hz
MOTOR	1/8 4PO BB (C0009.31)
CAPACITOR	5 μ F
THERMAL PROTECTION	Incorporated
IP CLASS	44
THERMAL CLASS	B
CONFORMITY	CE
SPEED CONTROL	ES3

NOMINAL INSTALLATION DATA

	Pressure (Pa)	Amps (A)	Abs.Power (W)	Max air T°(TM) (°C)
Minimum	80	1,3	300	50
Maximum	255	0,91	170	50

DIMENSIONS

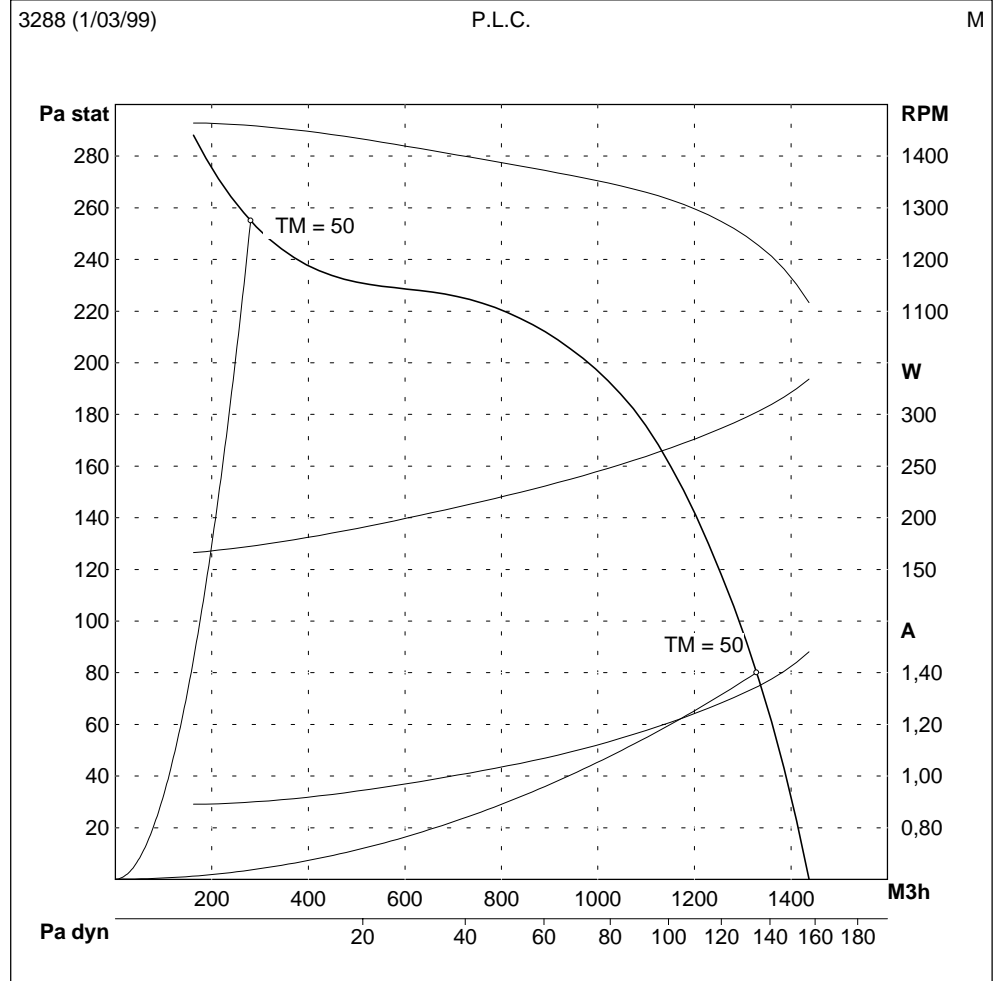


A	B	C	D	E	F	G	H	K	L	M	N
106	164	210	291	125	270	56	233	279	258	246	225

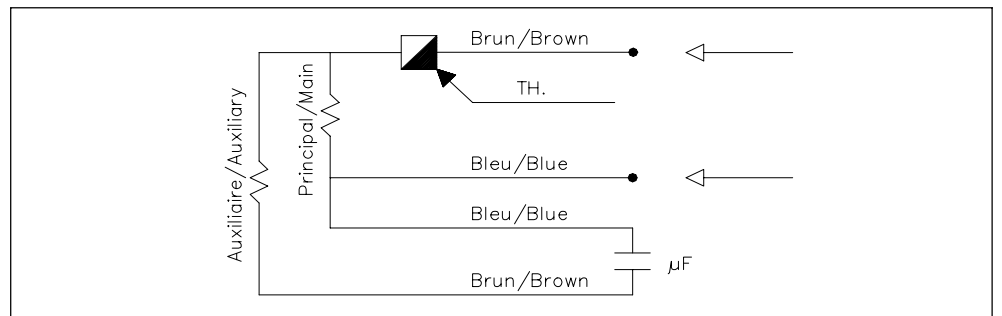
We are constantly working to make our products better and more reliable. Therefore we cannot guarantee data update.
Therefore, although we put a lot of care in the making of our documentation, we cannot be held responsible for any error and/or omissions that could have slipped in.

PERFORMANCE CURVES

measured in our laboratory according to AMCA/ASHRAE 210.85 fig.12



WIRING DIAGRAM



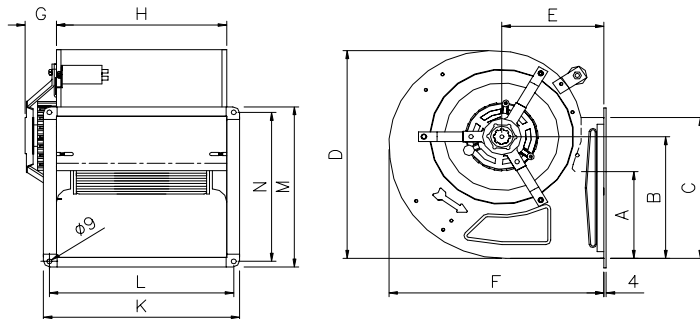
FAN TECHNICAL DATA

ID CODE	710002
FAN NAME	DD 7-7-9 1/6 BB
SUPPLY	230 V - 50 Hz
MOTOR	1/6 6PO BB (110173.04)
CAPACITOR	4 μ F
THERMAL PROTECTION	Incorporated
IP CLASS	44
THERMAL CLASS	B
CONFORMITY	CE
SPEED CONTROL	ES3

NOMINAL INSTALLATION DATA

Pressure (Pa)	Amps (A)	Abs.Power (W)	Max air T°(TM) (°C)
Minimum	0	0,86	65
Maximum	125	0,68	65

DIMENSIONS

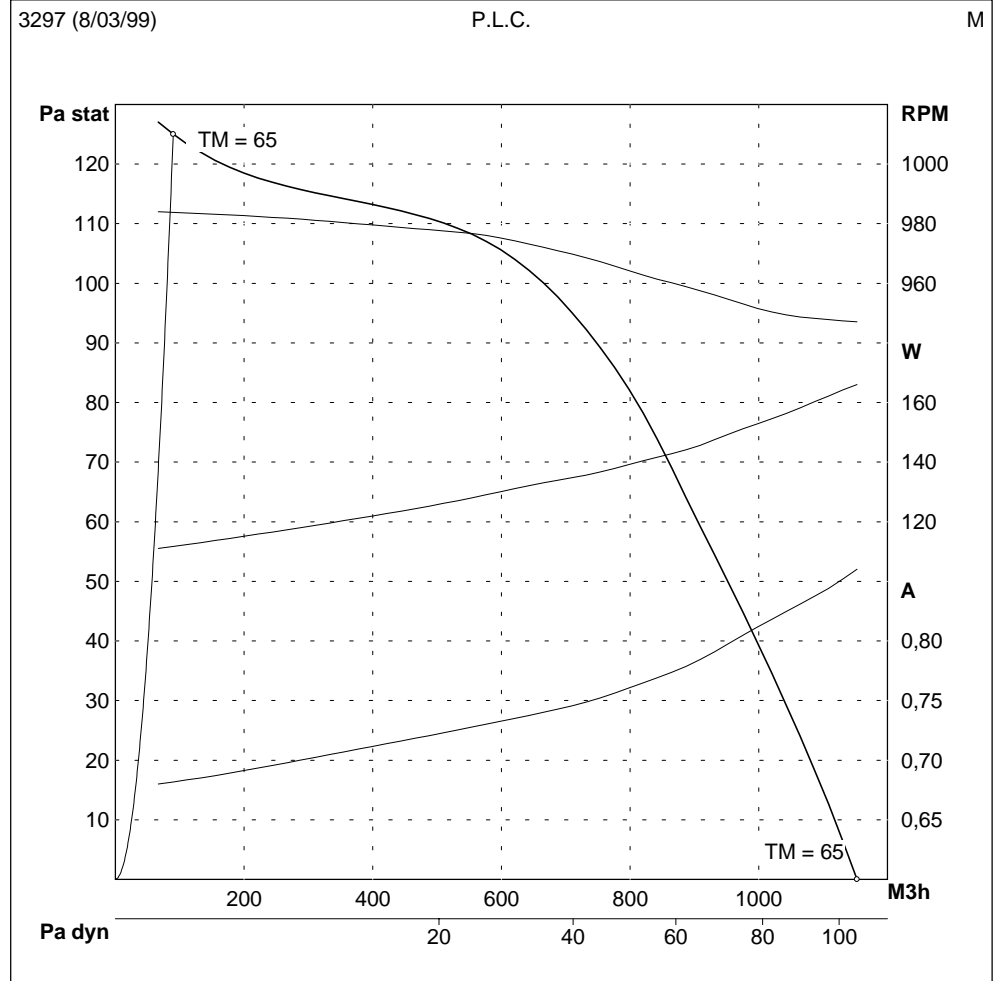


A	B	C	D	E	F	G	H	K	L	M	N
104	164	210	291	125	270	56	233	279	258	246	225

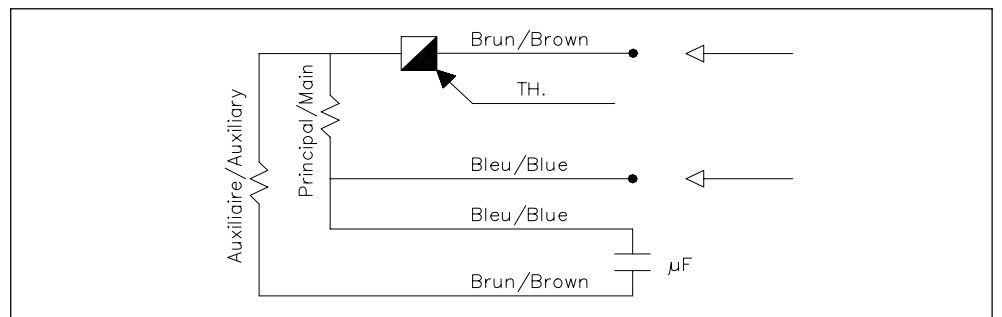
We are constantly working to make our products better and more reliable. Therefore we cannot guarantee data update.
Therefore, although we put a lot of care in the making of our documentation, we cannot be held responsible for any error and/or omissions that could have slipped in.

PERFORMANCE CURVES

measured in our laboratory according to AMCA/ASHRAE 210.85 fig.12



WIRING DIAGRAM



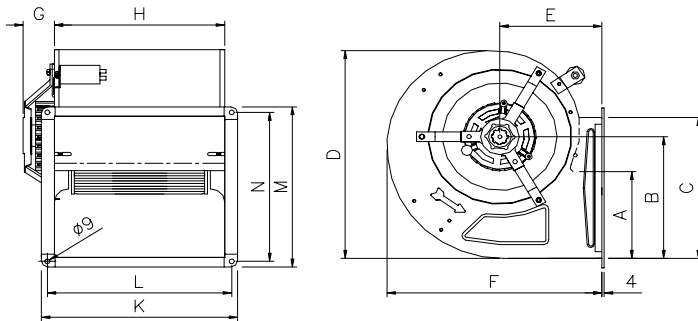
FAN TECHNICAL DATA

ID CODE	710075
FAN NAME	DD 9-7-14 TH 1/2 BB
SUPPLY	230 V - 50 Hz
MOTOR	1/2 4PO BB (110619.00)
CAPACITOR	10 μ F
THERMAL PROTECTION	Incorporated
IP CLASS	44
THERMAL CLASS	B
CONFORMITY	CE
SPEED CONTROL	ESB5

NOMINAL INSTALLATION DATA

Pressure (Pa)	Amps (A)	Abs.Power (W)	Max air T°(TM) (°C)
Minimum	0	3,1	65
Maximum	315	1,9	65

DIMENSIONS

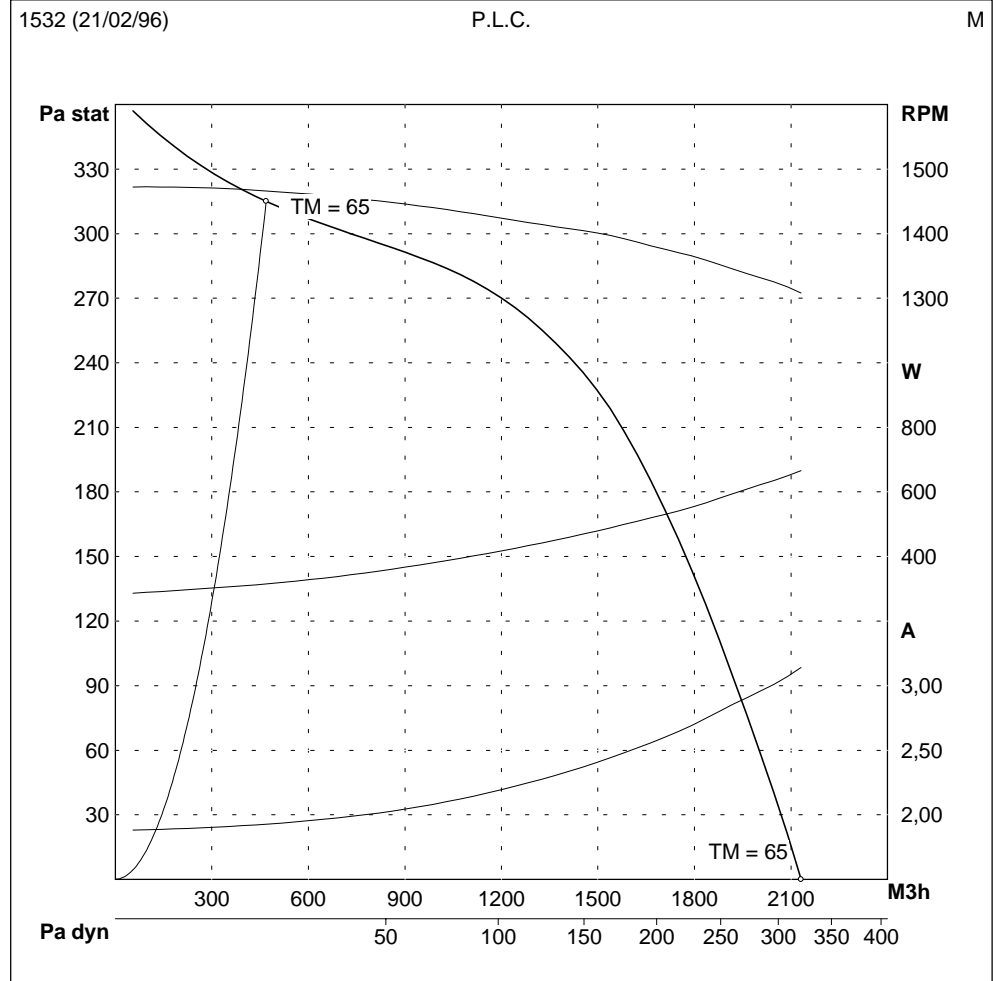


A	B	C	D	E	F	G	H	K	L	M	N
110	175	261	318	165	324	77	233	279	258	301	280

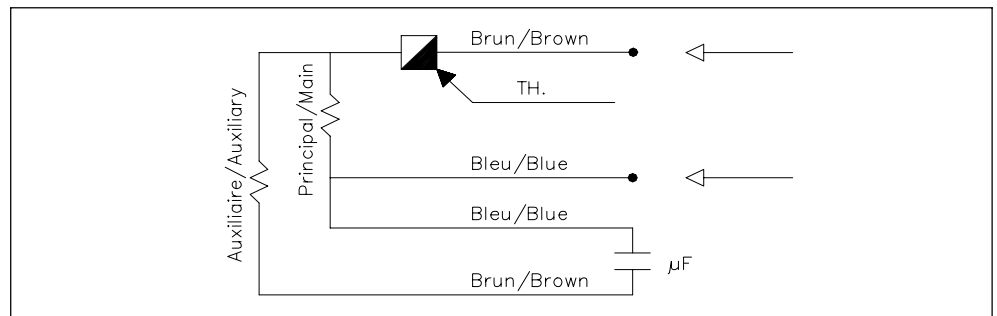
We are constantly working to make our products better and more reliable. Therefore we cannot guarantee data update.
Therefore, although we put a lot of care in the making of our documentation, we cannot be held responsible for any error and/or omissions that could have slipped in.

PERFORMANCE CURVES

measured in our laboratory according to AMCA/ASHRAE 210.85 fig.12



WIRING DIAGRAM



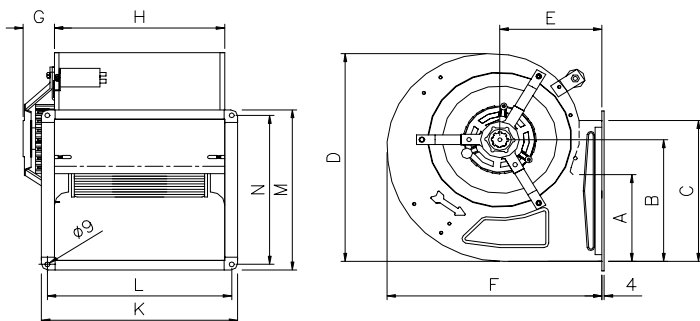
FAN TECHNICAL DATA

ID CODE	710076
FAN NAME	DD 9-7-14 1/2 BB
SUPPLY	230 V - 50 Hz
MOTOR	1/2 4PO BB (110619.00)
CAPACITOR	10 μ F
THERMAL PROTECTION	Incorporated
IP CLASS	44
THERMAL CLASS	B
CONFORMITY	CE
SPEED CONTROL	ESB5

NOMINAL INSTALLATION DATA

Pressure (Pa)	Amps (A)	Abs.Power (W)	Max air T°(TM) (°C)
Minimum	0	4	55
Maximum	410	2	65

DIMENSIONS

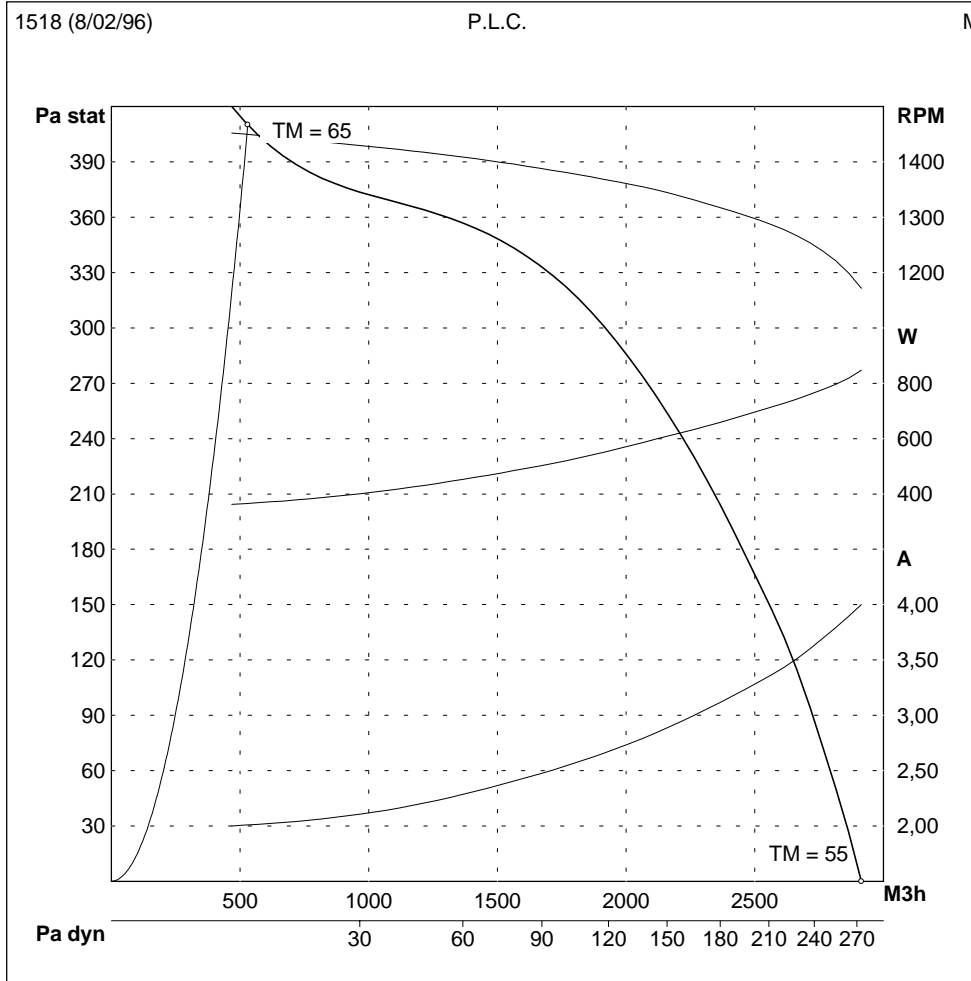


A	B	C	D	E	F	G	H	K	L	M	N
163	229	265	391	180	379	77	233	279	258	301	280

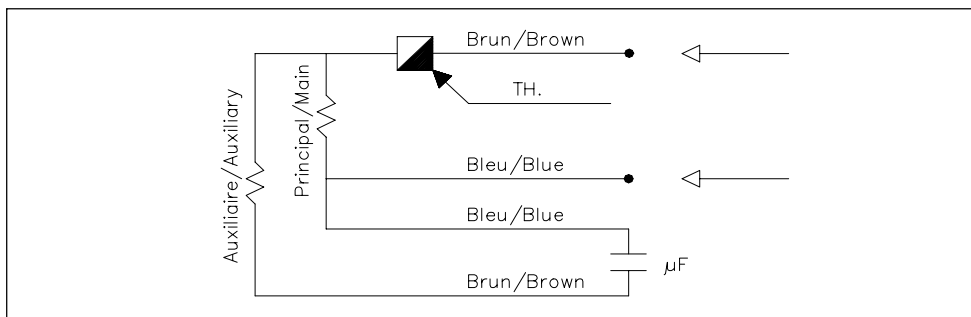
We are constantly working to make our products better and more reliable. Therefore we cannot guarantee data update.
Therefore, although we put a lot of care in the making of our documentation, we cannot be held responsible for any error and/or omissions that could have slipped in.

PERFORMANCE CURVES

measured in our laboratory according to AMCA/ASHRAE 210.85 fig.12



WIRING DIAGRAM



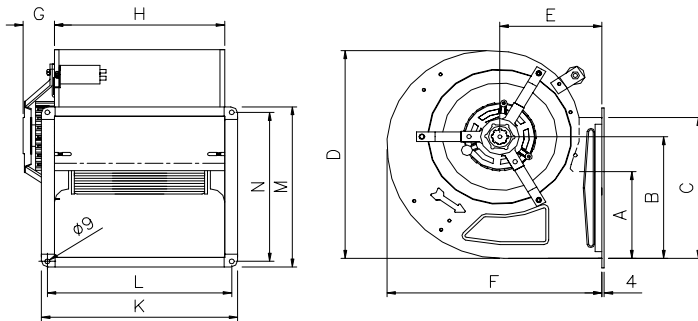
FAN TECHNICAL DATA

ID CODE	710010
FAN NAME	DD 9-7-9 1/6 BB
SUPPLY	230 V - 50 Hz
MOTOR	1/6 6PO BB (110173.04)
CAPACITOR	5 μ F
THERMAL PROTECTION	Incorporated
IP CLASS	44
THERMAL CLASS	B
CONFORMITY	CE
SPEED CONTROL	ES3

NOMINAL INSTALLATION DATA

Pressure (Pa)	Amps (A)	Abs.Power (W)	Max air T°(TM) (°C)
Minimum	0	1,5	55
Maximum	180	0,81	65

DIMENSIONS

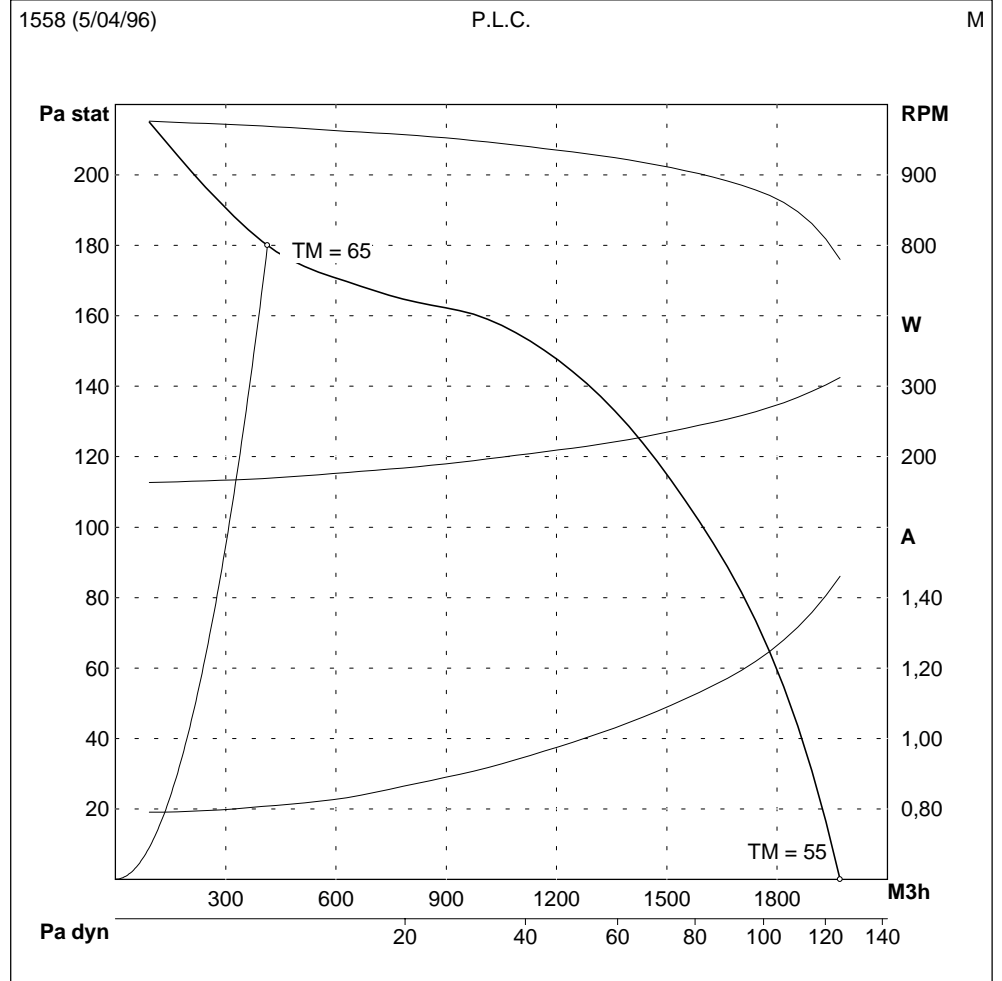


A	B	C	D	E	F	G	H	K	L	M	N
163	229	265	391	180	379	44	233	279	258	301	280

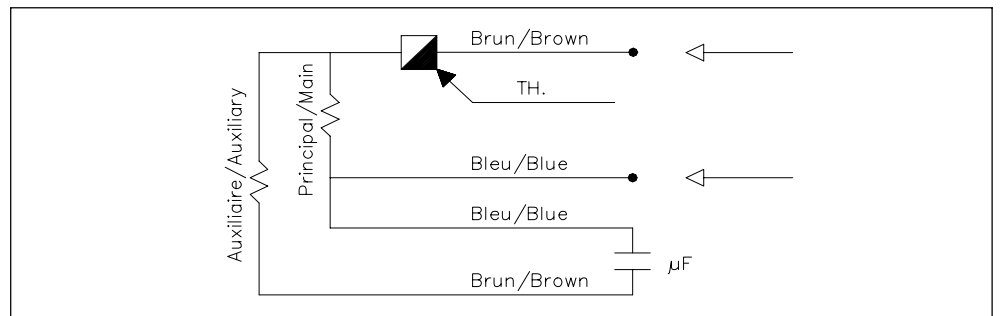
We are constantly working to make our products better and more reliable. Therefore we cannot guarantee data update.
Therefore, although we put a lot of care in the making of our documentation, we cannot be held responsible for any error and/or omissions that could have slipped in.

PERFORMANCE CURVES

measured in our laboratory according to AMCA/ASHRAE 210.85 fig.12



WIRING DIAGRAM



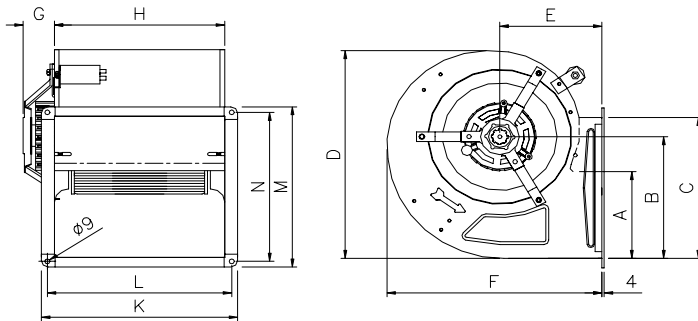
FAN TECHNICAL DATA

ID CODE	710084
FAN NAME	DD 9-9-14 1/2 BB
SUPPLY	230 V - 50 Hz
MOTOR	1/2 4PO BB (110619.00)
CAPACITOR	10 μ F
THERMAL PROTECTION	Incorporated
IP CLASS	44
THERMAL CLASS	B
CONFORMITY	CE
SPEED CONTROL	ESB5

NOMINAL INSTALLATION DATA

	Pressure (Pa)	Amps (A)	Abs.Power (W)	Max air T°(TM) (°C)
Minimum	100	4,4	940	50
Maximum	435	2,2	410	65

DIMENSIONS

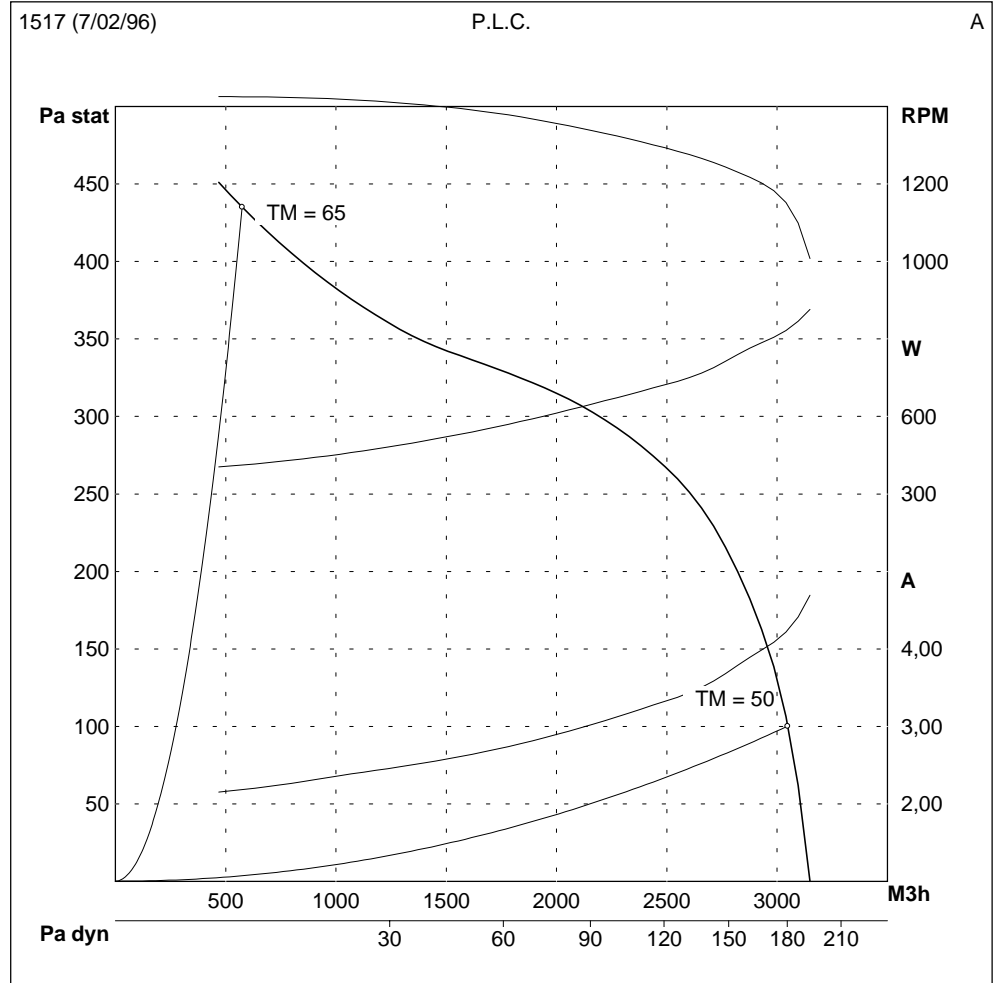


A	B	C	D	E	F	G	H	K	L	M	N
163	229	265	391	180	379	55	300	346	325	301	280

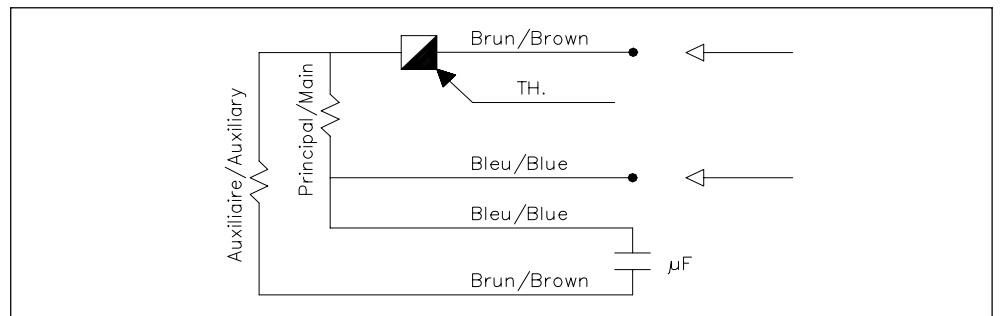
We are constantly working to make our products better and more reliable. Therefore we cannot guarantee data update.
Therefore, although we put a lot of care in the making of our documentation, we cannot be held responsible for any error and/or omissions that could have slipped in.

PERFORMANCE CURVES

measured in our laboratory according to AMCA/ASHRAE 210.85 fig.12



WIRING DIAGRAM



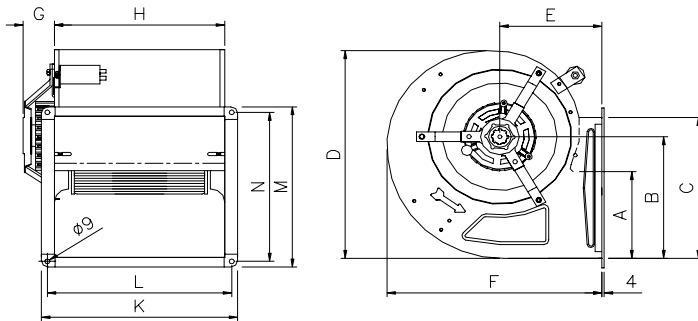
FAN TECHNICAL DATA

ID CODE	710028
FAN NAME	DD 9-9-9 1/3 BB
SUPPLY	230 V - 50 Hz
MOTOR	1/3 6PO BB (110517.04)
CAPACITOR	8 μ F
THERMAL PROTECTION	Incorporated
IP CLASS	44
THERMAL CLASS	F
CONFORMITY	CE
SPEED CONTROL	ES3

NOMINAL INSTALLATION DATA

Pressure (Pa)	Amps (A)	Abs.Power (W)	Max air T°(TM) (°C)
Minimum	0	2,6	65
Maximum	180	1,7	65

DIMENSIONS

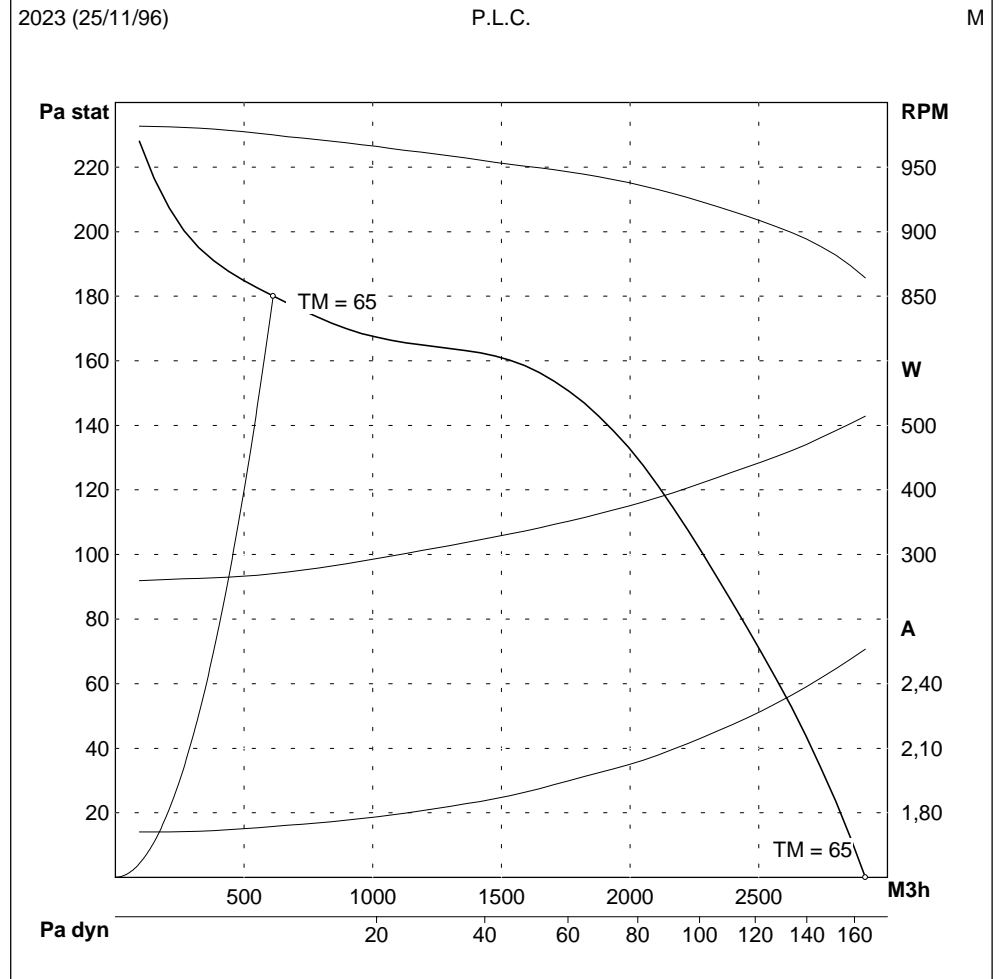


A	B	C	D	E	F	G	H	K	L	M	N
163	229	265	391	180	379	55	300	346	325	301	280

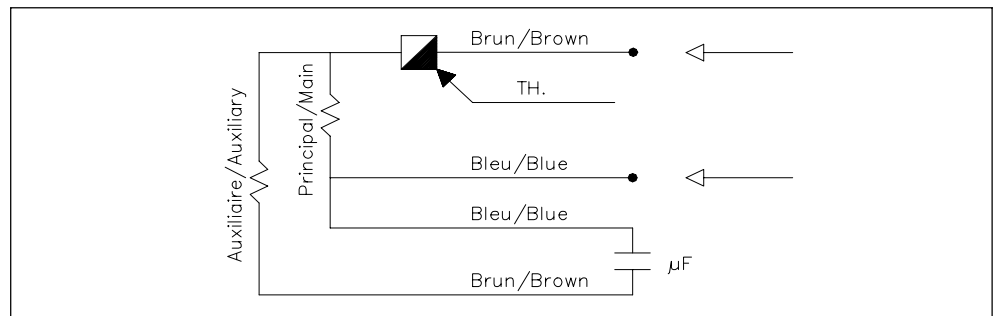
We are constantly working to make our products better and more reliable. Therefore we cannot guarantee data update.
Therefore, although we put a lot of care in the making of our documentation, we cannot be held responsible for any error and/or omissions that could have slipped in.

PERFORMANCE CURVES

measured in our laboratory according to AMCA/ASHRAE 210.85 fig.12



WIRING DIAGRAM



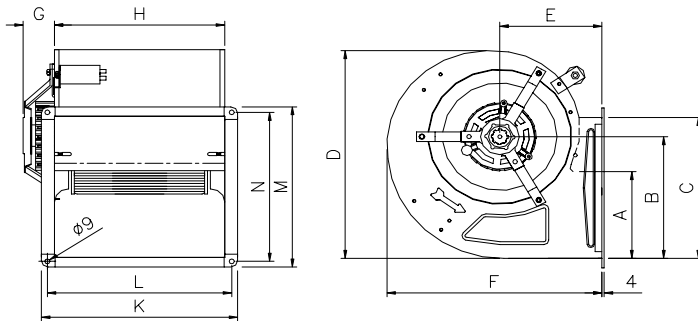
FAN TECHNICAL DATA

ID CODE	710034
FAN NAME	DD 9-9-9 1/6 BB
SUPPLY	230 V - 50 Hz
MOTOR	1/6 6PO BB (110173.04)
CAPACITOR	4 μ F
THERMAL PROTECTION	Incorporated
IP CLASS	44
THERMAL CLASS	B
CONFORMITY	CE
SPEED CONTROL	ES3

NOMINAL INSTALLATION DATA

Pressure (Pa)	Amps (A)	Abs.Power (W)	Max air T°(TM) (°C)
Minimum	70	1,4	55
Maximum	200	0,8	65

DIMENSIONS

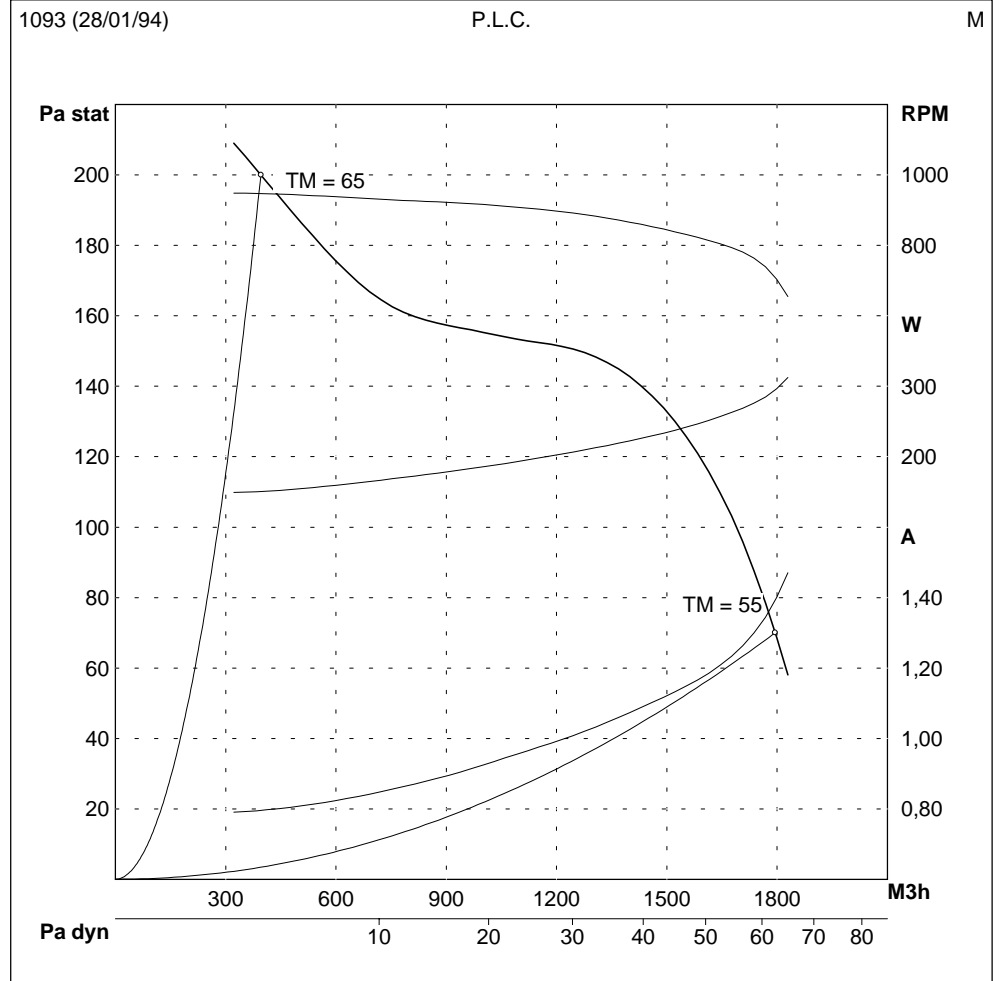


A	B	C	D	E	F	G	H	K	L	M	N
163	229	265	391	180	379	44	300	346	325	301	280

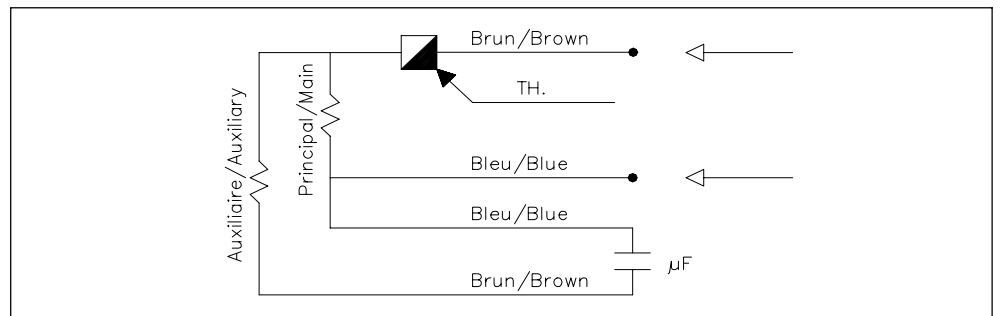
We are constantly working to make our products better and more reliable. Therefore we cannot guarantee data update.
Therefore, although we put a lot of care in the making of our documentation, we cannot be held responsible for any error and/or omissions that could have slipped in.

PERFORMANCE CURVES

measured in our laboratory according to AMCA/ASHRAE 210.85 fig.12



WIRING DIAGRAM



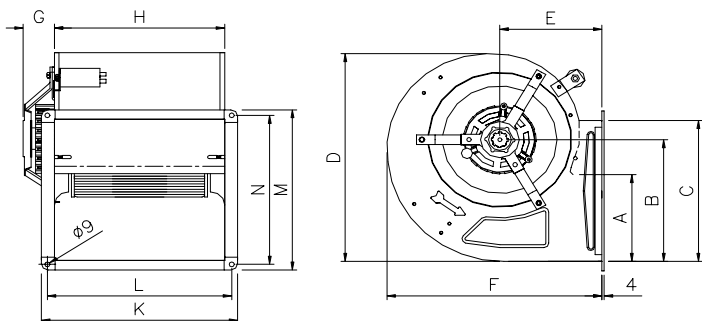
FAN TECHNICAL DATA

ID CODE	710263
FAN NAME	DD 10-8-14 3/4 BB
SUPPLY	230 V - 50 Hz
MOTOR	3/4 4PO BB (B0048.05)
CAPACITOR	20 μ F
THERMAL PROTECTION	
IP CLASS	
THERMAL CLASS	
CONFORMITY	CE
SPEED CONTROL	ESB10

NOMINAL INSTALLATION DATA

Pressure (Pa)	Amps (A)	Abs.Power (W)	Max air T°(TM) (°C)	
Minimum	200	6,6	1470	60
Maximum	600	3,2	630	65

DIMENSIONS

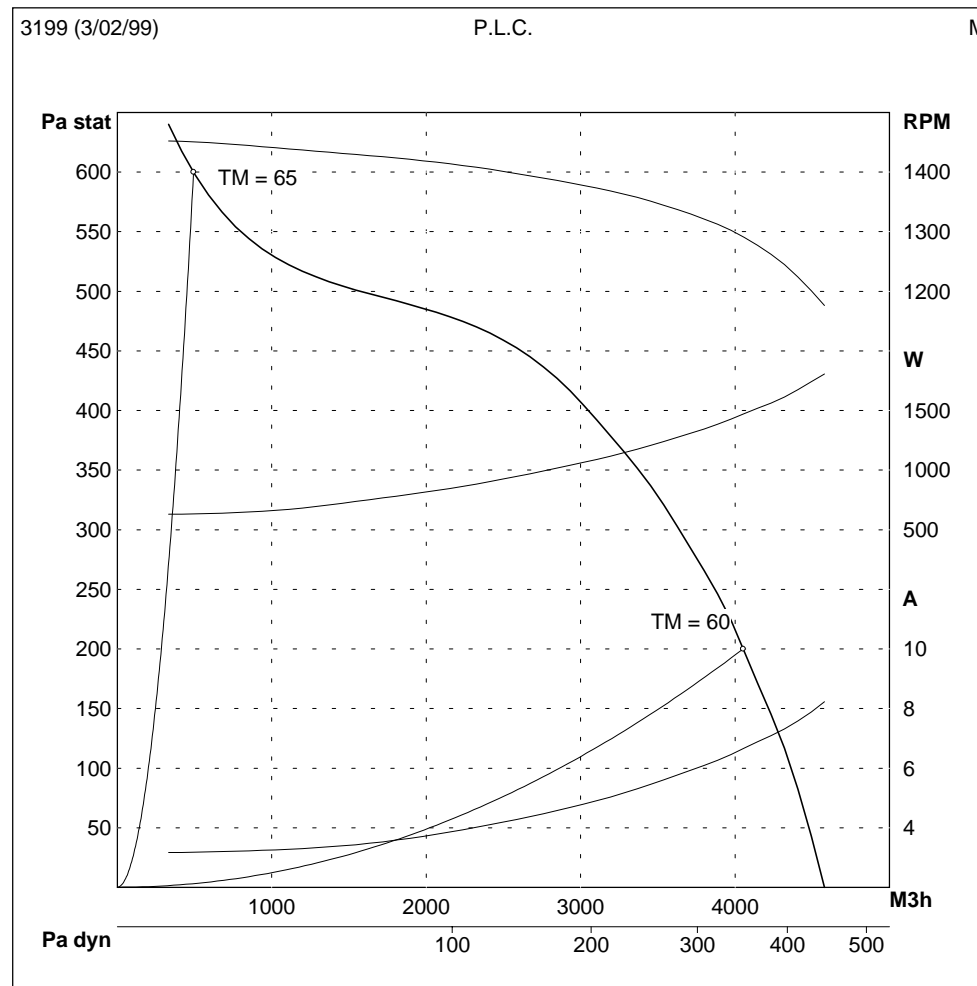


A	B	C	D	E	F	G	H	K	L	M	N
175	258	295	441	191	422	65	267	313	292	331	310

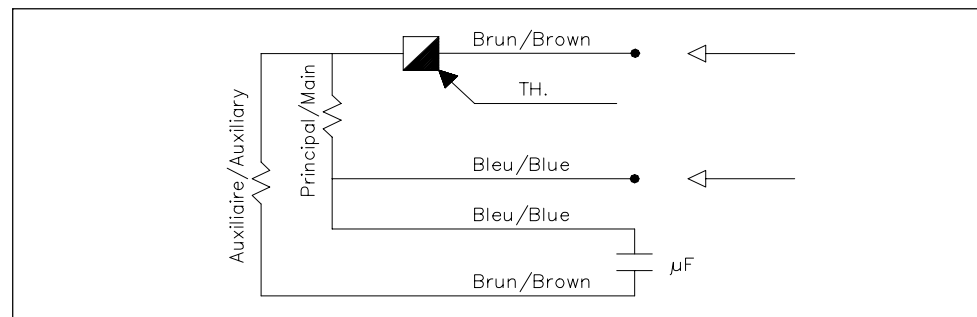
We are constantly working to make our products better and more reliable. Therefore we cannot guarantee data update.
Therefore, although we put a lot of care in the making of our documentation, we cannot be held responsible for any error and/or omissions that could have slipped in.

PERFORMANCE CURVES

measured in our laboratory according to AMCA/ASHRAE 210.85 fig.12



WIRING DIAGRAM



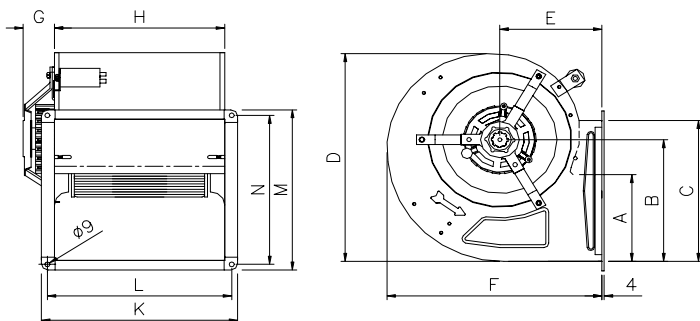
FAN TECHNICAL DATA

ID CODE	710036
FAN NAME	DD 10-8-9 1/3 BB
SUPPLY	230 V - 50 Hz
MOTOR	1/3 6PO BB (110517.04)
CAPACITOR	8 μ F
THERMAL PROTECTION	Incorporated
IP CLASS	44
THERMAL CLASS	F
CONFORMITY	CE
SPEED CONTROL	ES3

NOMINAL INSTALLATION DATA

	Pressure (Pa)	Amps (A)	Abs.Power (W)	Max air T°(TM) (°C)
Minimum	100	2,6	520	60
Maximum	240	1,8	300	65

DIMENSIONS

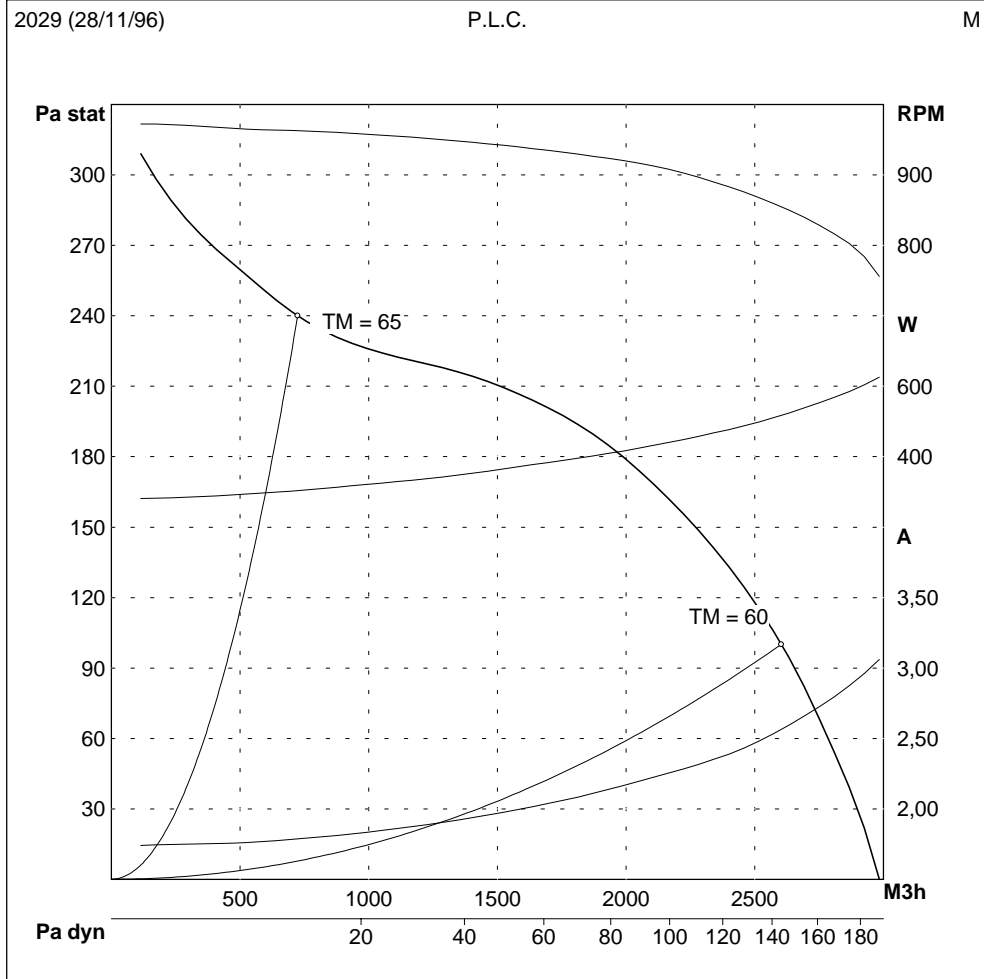


A	B	C	D	E	F	G	H	K	L	M	N
175	258	295	441	191	422	57	267	313	292	331	310

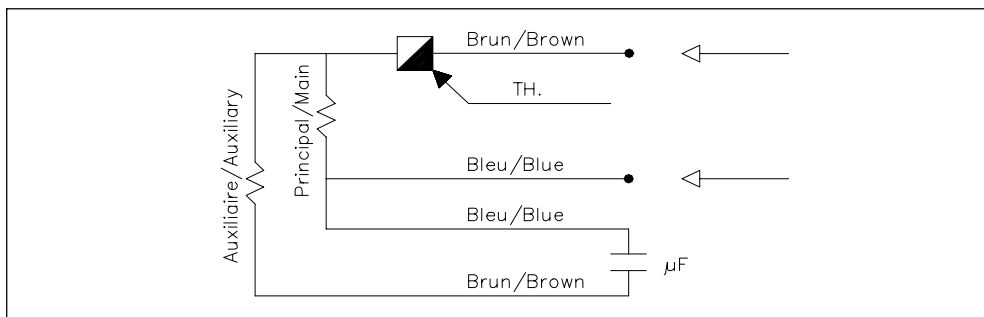
We are constantly working to make our products better and more reliable. Therefore we cannot guarantee data update.
Therefore, although we put a lot of care in the making of our documentation, we cannot be held responsible for any error and/or omissions that could have slipped in.

PERFORMANCE CURVES

measured in our laboratory according to AMCA/ASHRAE 210.85 fig.12



WIRING DIAGRAM



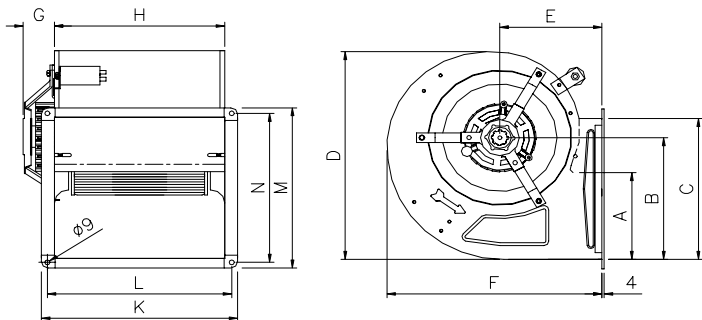
FAN TECHNICAL DATA

ID CODE	710040
FAN NAME	DD 10-10-9 1/3 BB
SUPPLY	230 V - 50 Hz
MOTOR	1/3 6PO BB (110517.04)
CAPACITOR	8 μ F
THERMAL PROTECTION	Incorporated
IP CLASS	44
THERMAL CLASS	F
CONFORMITY	CE
SPEED CONTROL	ES3

NOMINAL INSTALLATION DATA

	Pressure (Pa)	Amps (A)	Abs.Power (W)	Max air T°(TM) (°C)
Minimum	100	2,8	560	60
Maximum	260	1,8	300	65

DIMENSIONS

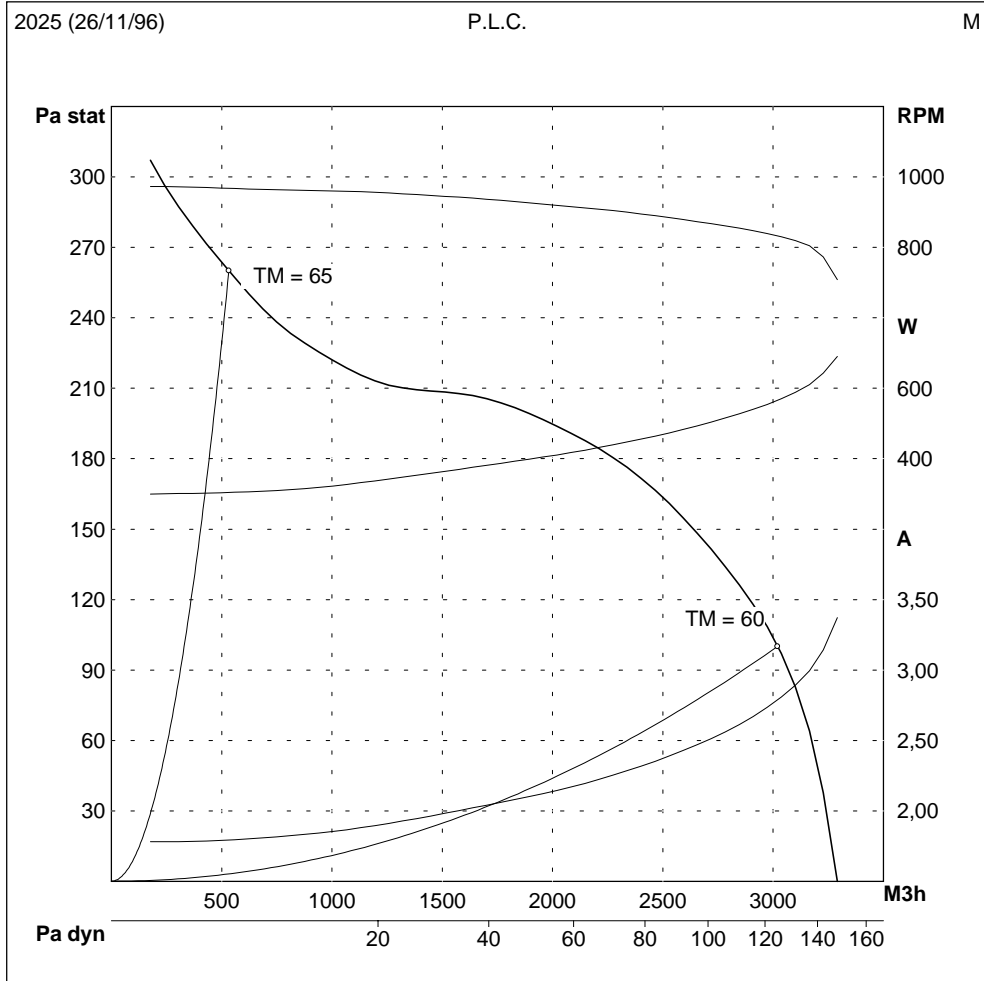


A	B	C	D	E	F	G	H	K	L	M	N
175	258	295	441	191	422	47	333	379	358	331	310

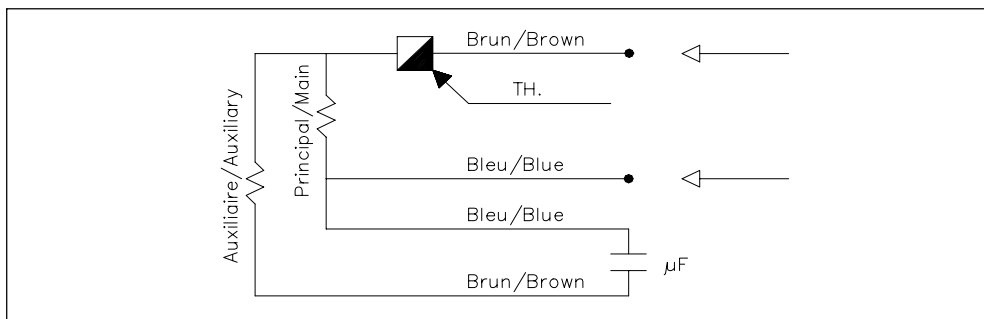
We are constantly working to make our products better and more reliable. Therefore we cannot guarantee data update.
Therefore, although we put a lot of care in the making of our documentation, we cannot be held responsible for any error and/or omissions that could have slipped in.

PERFORMANCE CURVES

measured in our laboratory according to AMCA/ASHRAE 210.85 fig.12



WIRING DIAGRAM



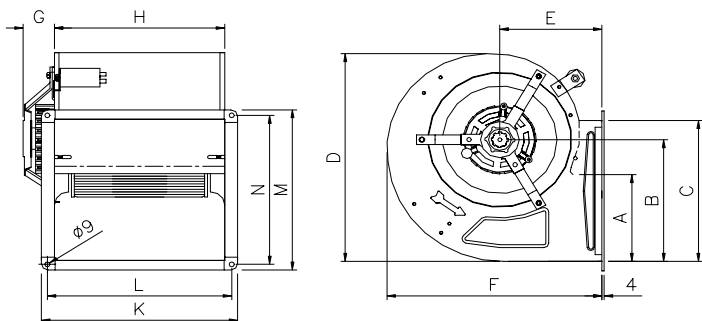
FAN TECHNICAL DATA

ID CODE	710044
FAN NAME	DD 10-10-9 3/4 BB
SUPPLY	230 V - 50 Hz
MOTOR	3/4 6PO BB (110344.11)
CAPACITOR	12,5 µF
THERMAL PROTECTION	Incorporated
IP CLASS	44
THERMAL CLASS	B
CONFORMITY	CE
SPEED CONTROL	ESB5

NOMINAL INSTALLATION DATA

Pressure (Pa)	Amps (A)	Abs.Power (W)	Max air T°(TM) (°C)
Minimum	0	4,1	55
Maximum	270	2,7	55

DIMENSIONS

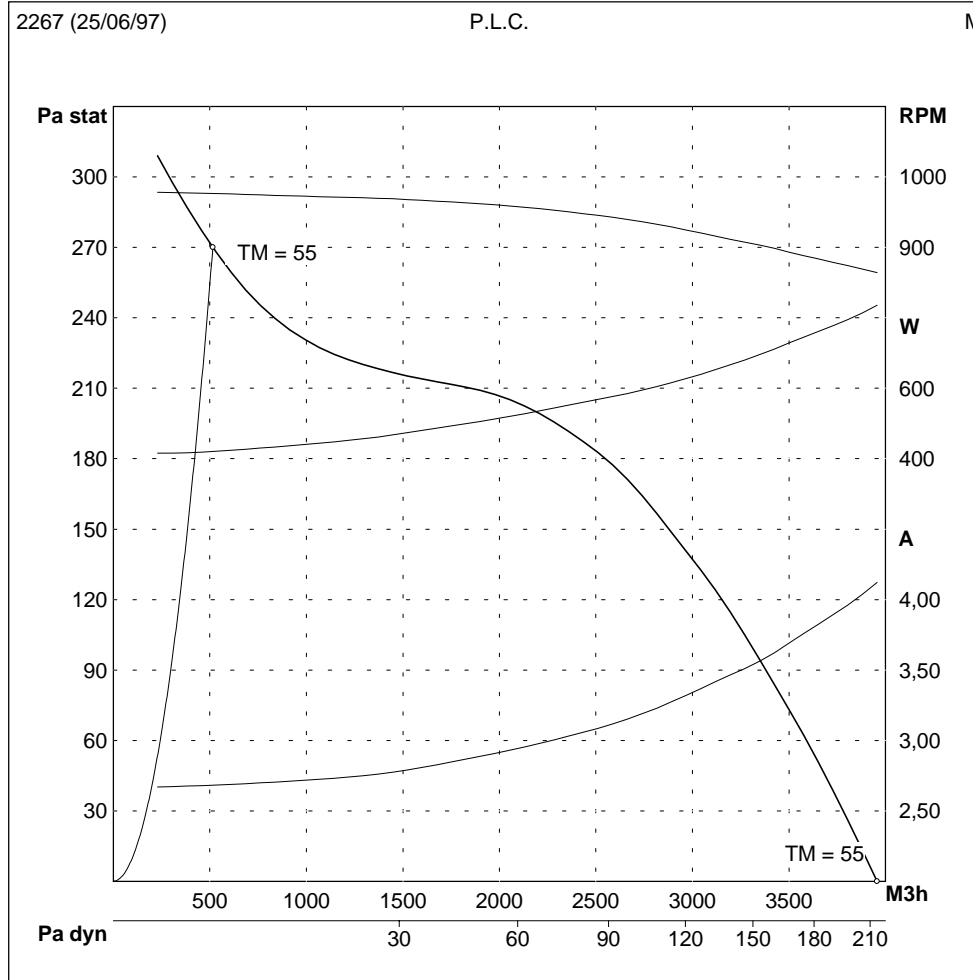


A	B	C	D	E	F	G	H	K	L	M	N
175	258	295	441	191	422	60	333	379	358	331	310

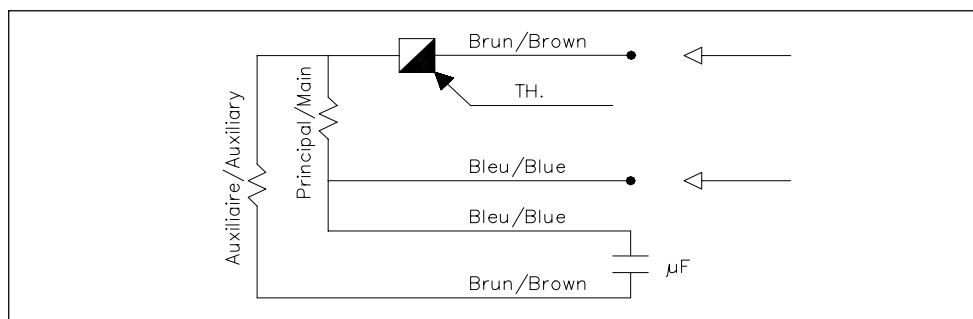
We are constantly working to make our products better and more reliable. Therefore we cannot guarantee data update.
Therefore, although we put a lot of care in the making of our documentation, we cannot be held responsible for any error and/or omissions that could have slipped in.

PERFORMANCE CURVES

measured in our laboratory according to AMCA/ASHRAE 210.85 fig.12



WIRING DIAGRAM



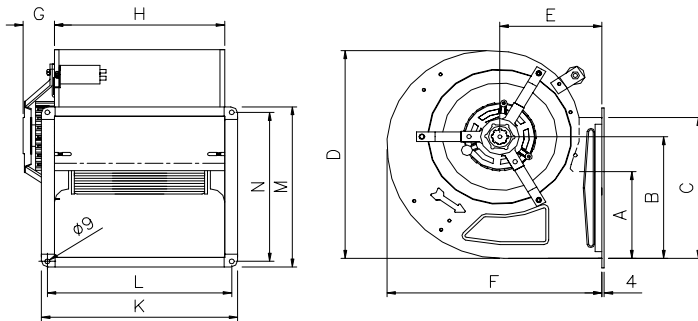
FAN TECHNICAL DATA

ID CODE	710094
FAN NAME	DD 10-10-14 5/8 BB
SUPPLY	230 V - 50 Hz
MOTOR	5/8 4PO BB (110164.21)
CAPACITOR	12,5 µF
THERMAL PROTECTION	Incorporated
IP CLASS	44
THERMAL CLASS	B
CONFORMITY	CE
SPEED CONTROL	ESB10

NOMINAL INSTALLATION DATA

	Pressure (Pa)	Amps (A)	Abs.Power (W)	Max air T°(TM) (°C)
Minimum	300	5,8	1280	45
Maximum	540	3,1	640	50

DIMENSIONS

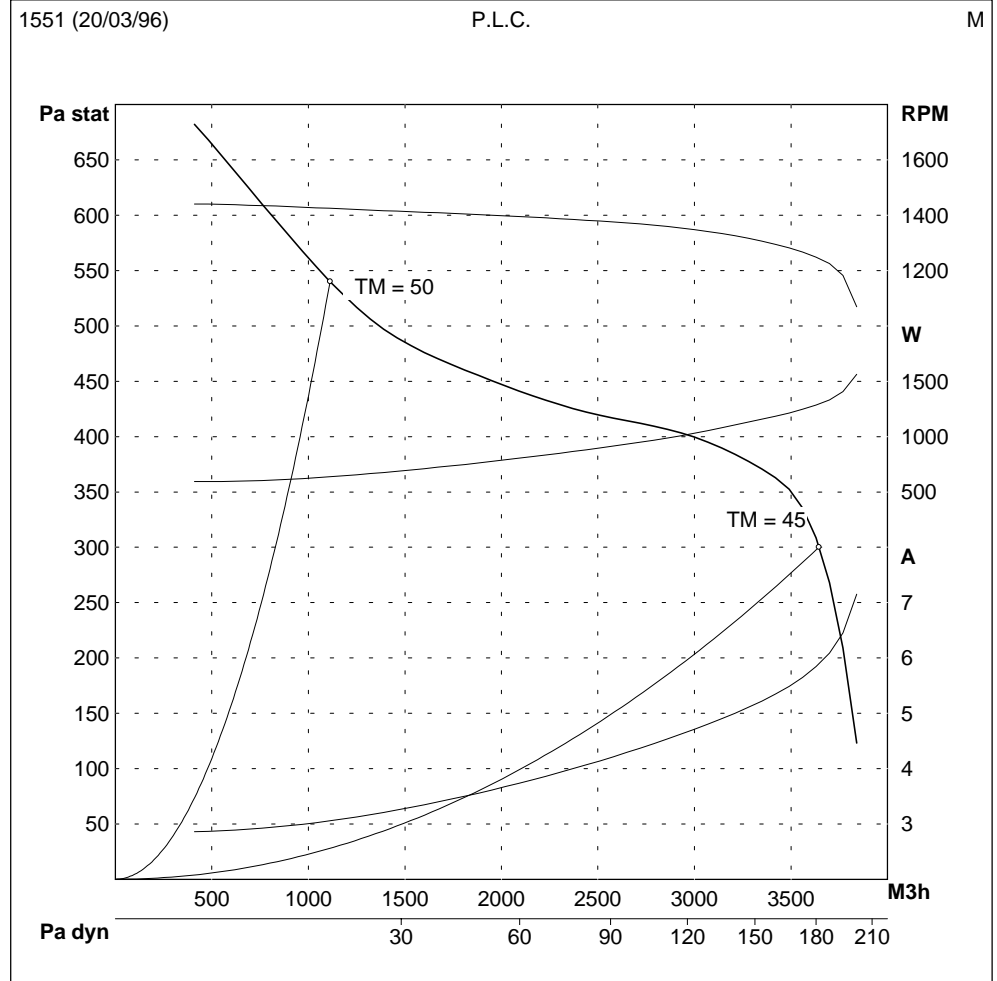


A	B	C	D	E	F	G	H	K	L	M	N
175	258	295	441	191	422	60	333	379	358	331	310

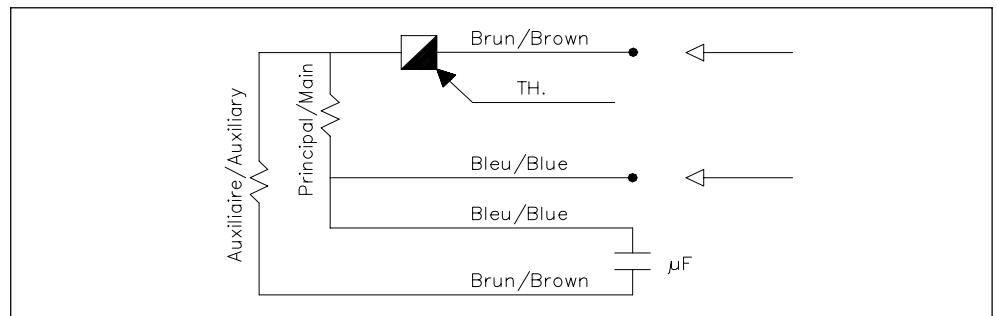
We are constantly working to make our products better and more reliable. Therefore we cannot guarantee data update.
Therefore, although we put a lot of care in the making of our documentation, we cannot be held responsible for any error and/or omissions that could have slipped in.

PERFORMANCE CURVES

measured in our laboratory according to AMCA/ASHRAE 210.85 fig.12



WIRING DIAGRAM



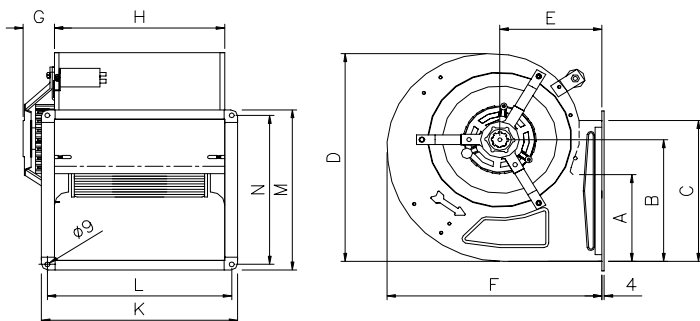
FAN TECHNICAL DATA

ID CODE	710262
FAN NAME	DD 10-10-14 3/4 BB
SUPPLY	230 V - 50 Hz
MOTOR	3/4 4PO BB (B0048.05)
CAPACITOR	20 μ F
THERMAL PROTECTION	Incorporated
IP CLASS	44
THERMAL CLASS	F
CONFORMITY	CE
SPEED CONTROL	ESB10

NOMINAL INSTALLATION DATA

	Pressure (Pa)	Amps (A)	Abs.Power (W)	Max air T°(TM) (°C)
Minimum	200	7,4	1620	55
Maximum	720	3,3	670	65

DIMENSIONS

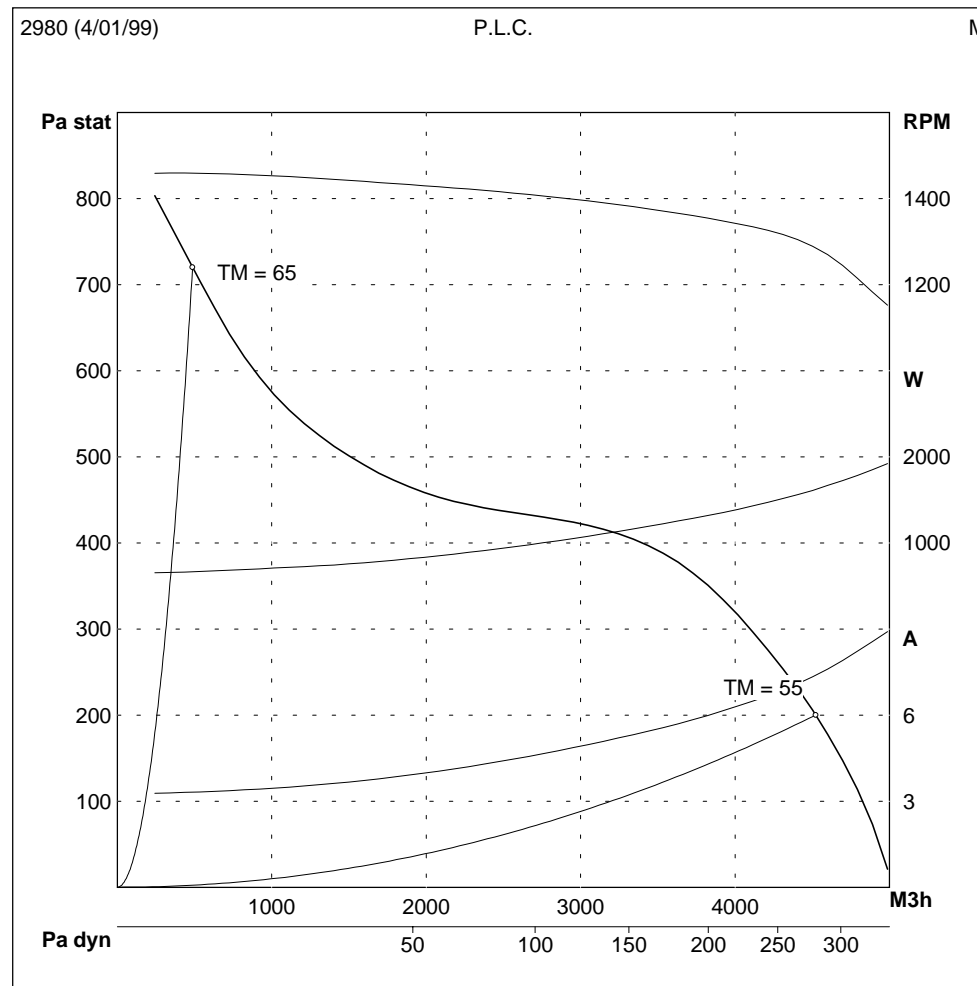


A	B	C	D	E	F	G	H	K	L	M	N
175	258	295	441	191	422	55	333	379	358	331	310

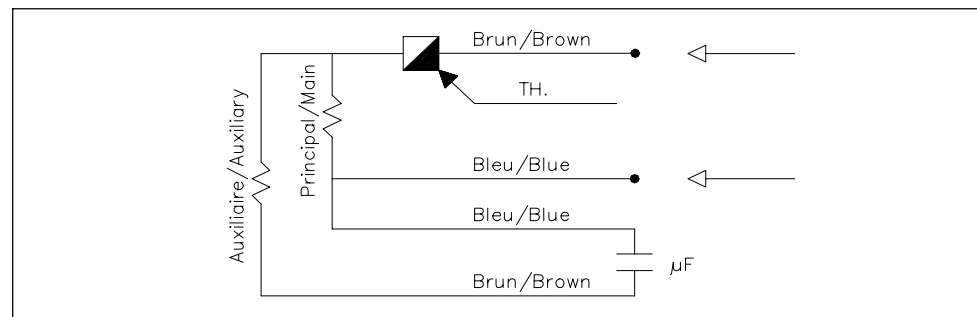
We are constantly working to make our products better and more reliable. Therefore we cannot guarantee data update.
Therefore, although we put a lot of care in the making of our documentation, we cannot be held responsible for any error and/or omissions that could have slipped in.

PERFORMANCE CURVES

measured in our laboratory according to AMCA/ASHRAE 210.85 fig.12



WIRING DIAGRAM



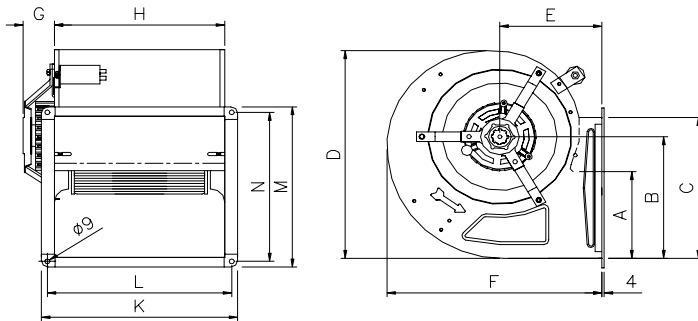
FAN TECHNICAL DATA

ID CODE	710048
FAN NAME	DD 11-9-9 3/4 BB
SUPPLY	230 V - 50 Hz
MOTOR	3/4 6PO BB (110344.11)
CAPACITOR	12,5 µF
THERMAL PROTECTION	Incorporated
IP CLASS	44
THERMAL CLASS	B
CONFORMITY	CE
SPEED CONTROL	ESB5

NOMINAL INSTALLATION DATA

	Pressure (Pa)	Amps (A)	Abs.Power (W)	Max air T°(TM) (°C)
Minimum	100	3,9	790	50
Maximum	340	2,7	450	55

DIMENSIONS

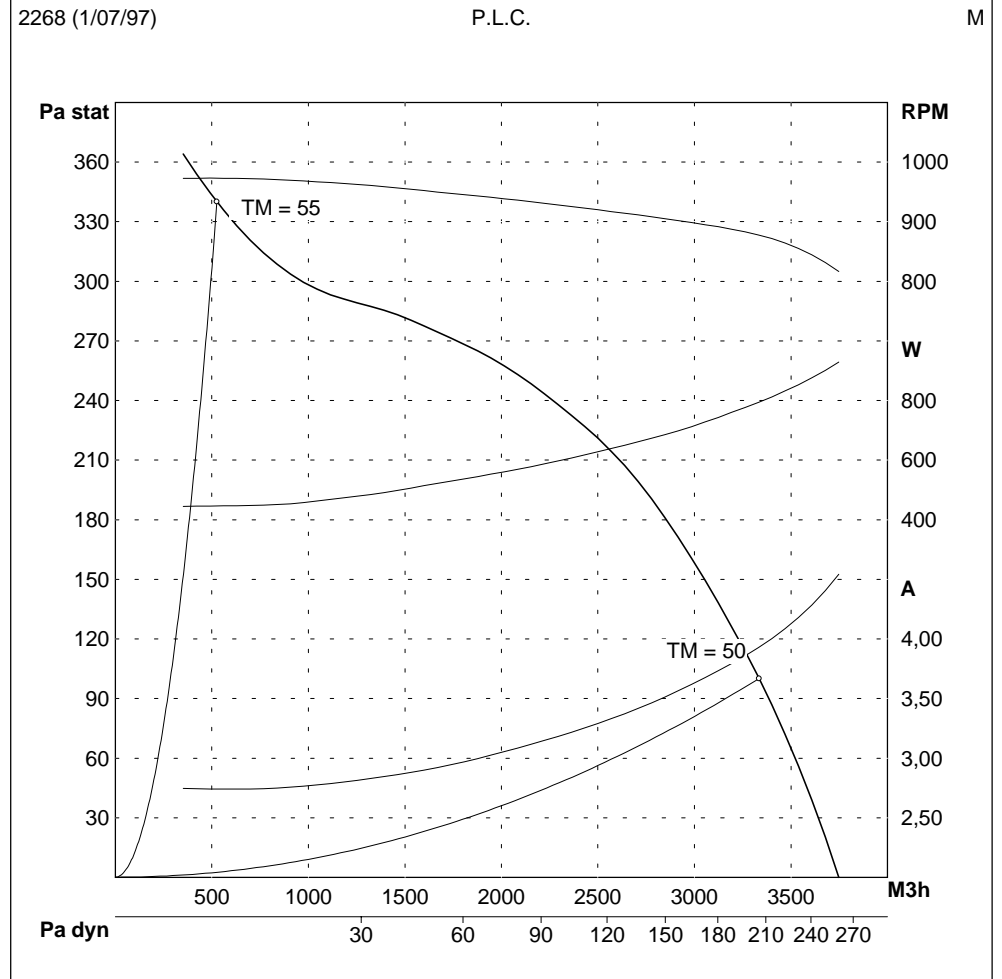


A	B	C	D	E	F	G	H	K	L	M	N
167	262	313	456	193	432	65	300	346	325	350	329

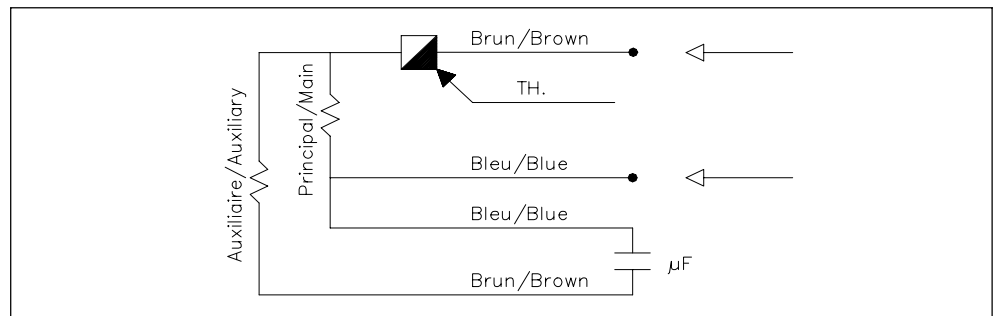
We are constantly working to make our products better and more reliable. Therefore we cannot guarantee data update.
Therefore, although we put a lot of care in the making of our documentation, we cannot be held responsible for any error and/or omissions that could have slipped in.

PERFORMANCE CURVES

measured in our laboratory according to AMCA/ASHRAE 210.85 fig.12



WIRING DIAGRAM



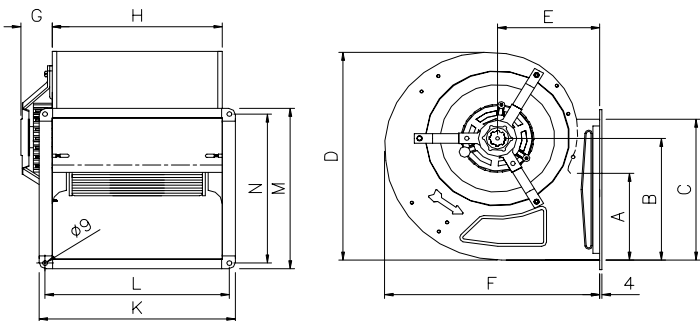
FAN TECHNICAL DATA

ID CODE	710097
FAN NAME	DD 11-9-14 1/1 T i BB
SUPPLY	3 x 400 V - 50 Hz
MOTOR	1/1 4PO BB T i (B0014.04)
CAPACITOR	-
THERMAL PROTECTION	Incorporated
IP CLASS	44
THERMAL CLASS	F
CONFORMITY	CE
SPEED CONTROL	-

NOMINAL INSTALLATION DATA

	Pressure (Pa)	Amps (A)	Abs.Power (W)	Max air T°(TM) (°C)
Minimum	150	4	2220	60
Maximum	700	2	800	65

DIMENSIONS

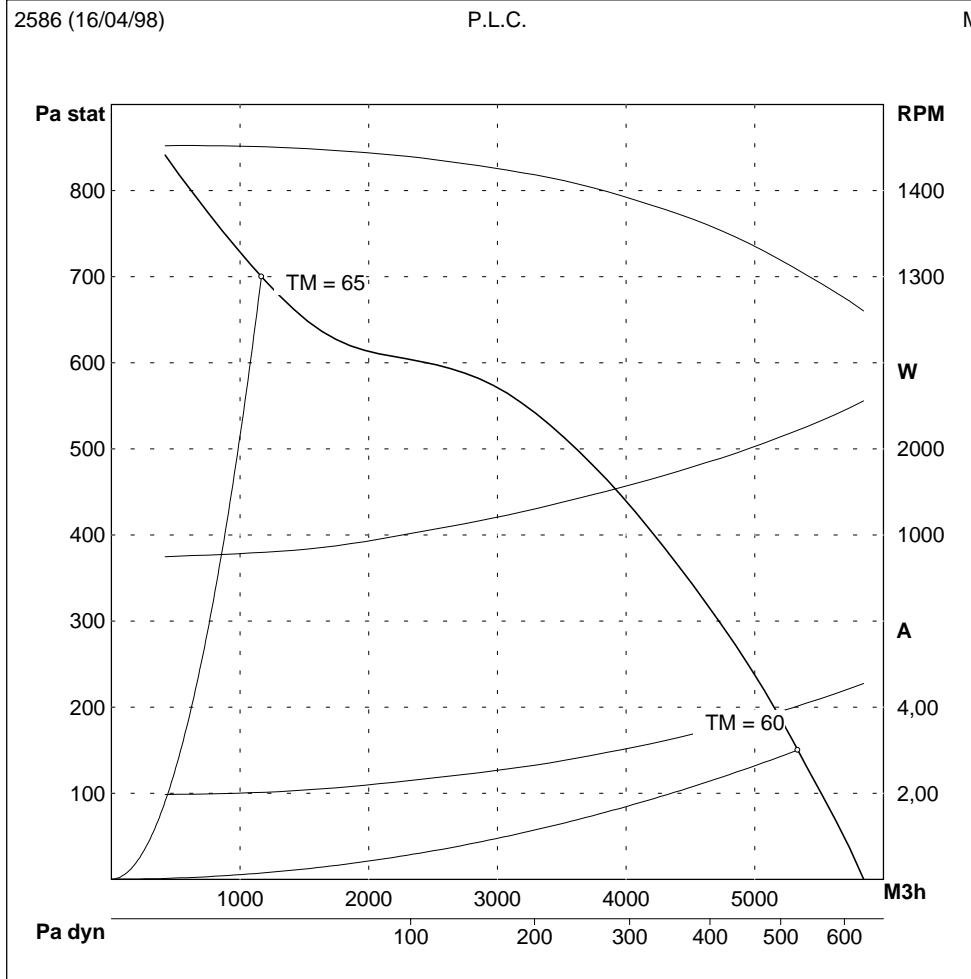


A	B	C	D	E	F	G	H	K	L	M	N
167	262	313	456	193	432	65	300	346	325	350	329

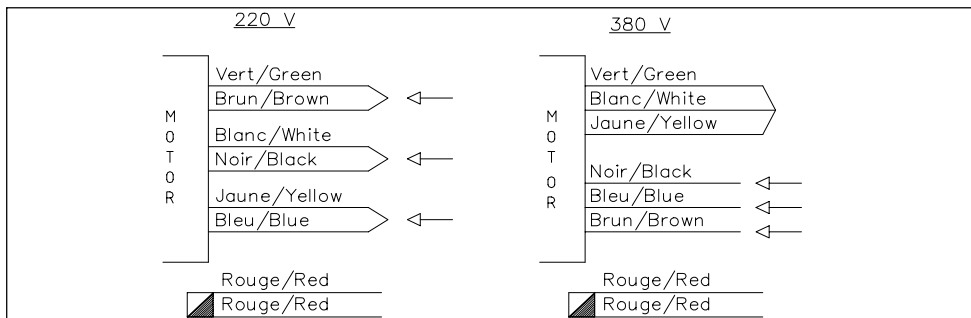
We are constantly working to make our products better and more reliable. Therefore we cannot guarantee data update.
Therefore, although we put a lot of care in the making of our documentation, we cannot be held responsible for any error and/or omissions that could have slipped in.

PERFORMANCE CURVES

measured in our laboratory according to AMCA/ASHRAE 210.85 fig.12



WIRING DIAGRAM



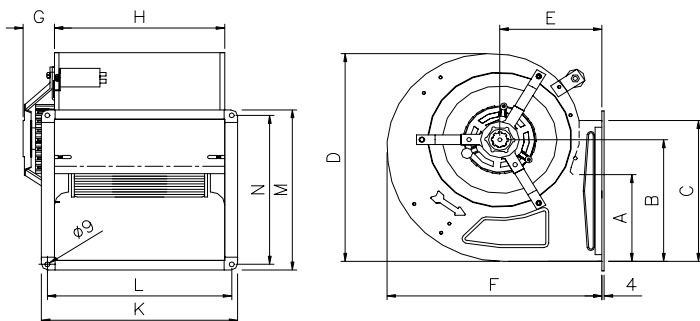
FAN TECHNICAL DATA

ID CODE	710098
FAN NAME	DD 11-9-14 5/4 BB
SUPPLY	230 V - 50 Hz
MOTOR	5/4 4PO BB (B0024.01)
CAPACITOR	30 μ F
THERMAL PROTECTION	Incorporated
IP CLASS	20
THERMAL CLASS	B
CONFORMITY	CE
SPEED CONTROL	ESB10

NOMINAL INSTALLATION DATA

	Pressure (Pa)	Amps (A)	Abs.Power (W)	Max air T°(TM) (°C)
Minimum	300	7	1600	50
Maximum	750	3,9	880	65

DIMENSIONS

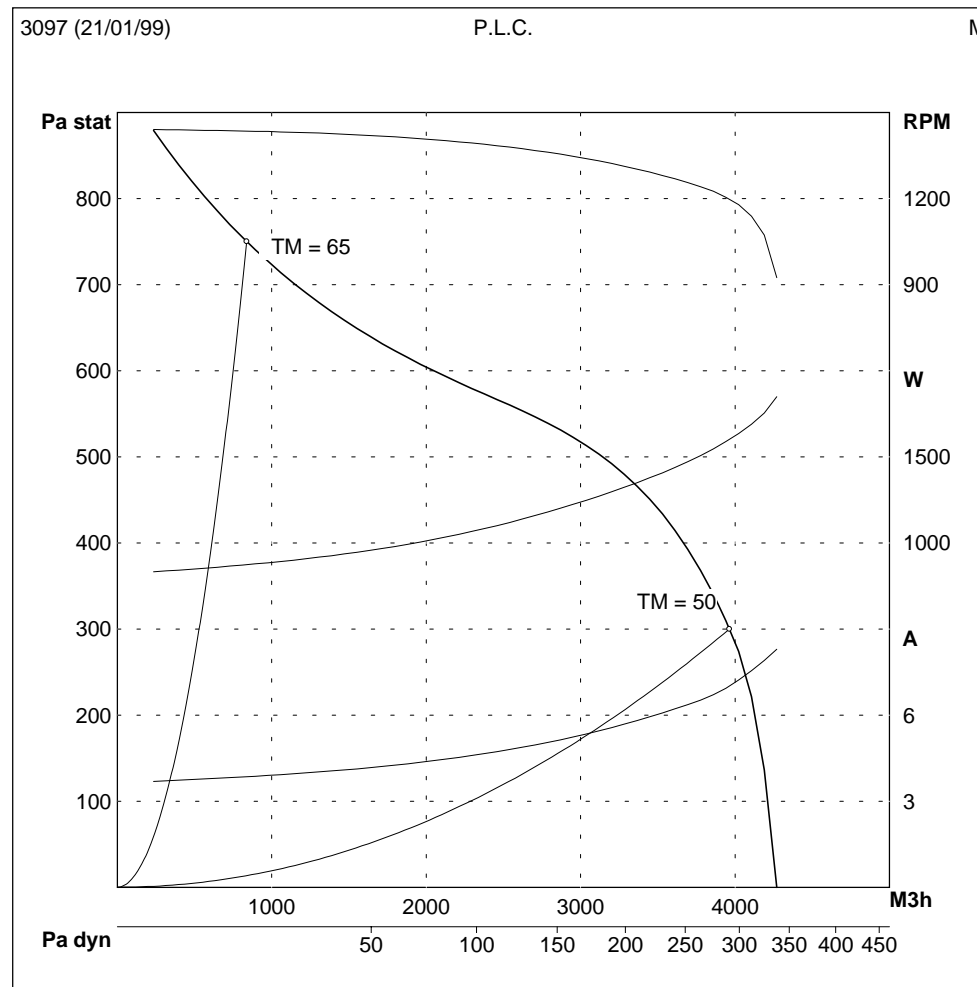


A	B	C	D	E	F	G	H	K	L	M	N
167	262	313	456	193	432	55	300	346	325	350	329

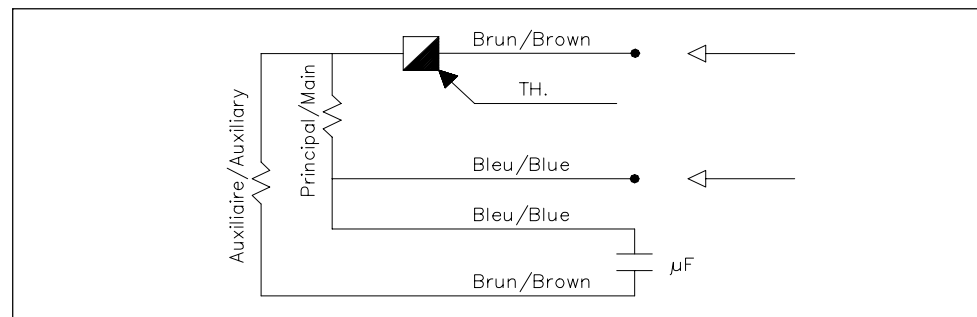
We are constantly working to make our products better and more reliable. Therefore we cannot guarantee data update.
Therefore, although we put a lot of care in the making of our documentation, we cannot be held responsible for any error and/or omissions that could have slipped in.

PERFORMANCE CURVES

measured in our laboratory according to AMCA/ASHRAE 210.85 fig.12



WIRING DIAGRAM



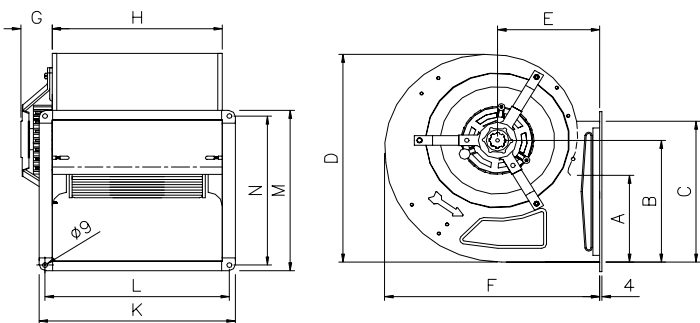
FAN TECHNICAL DATA

ID CODE	710099
FAN NAME	DD 11-11-14 1/1 T i BB
SUPPLY	3 x 400 V - 50 Hz
MOTOR	1/1 4PO BB T i (B0014.04)
CAPACITOR	-
THERMAL PROTECTION	Incorporated
IP CLASS	44
THERMAL CLASS	F
CONFORMITY	CE
SPEED CONTROL	-

NOMINAL INSTALLATION DATA

	Pressure (Pa)	Amps (A)	Abs.Power (W)	Max air T°(TM) (°C)
Minimum	170	4,2	2380	60
Maximum	700	2	830	65

DIMENSIONS

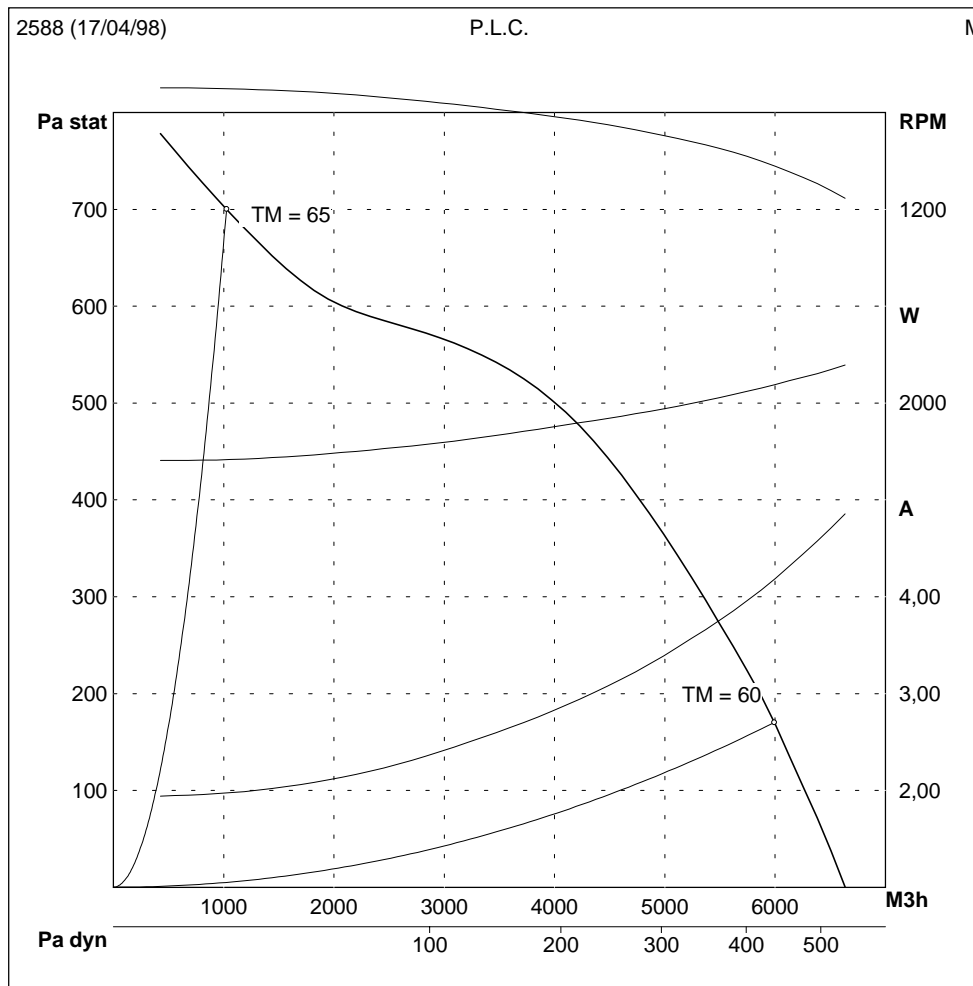


A	B	C	D	E	F	G	H	K	L	M	N
167	262	313	456	193	432	20	370	416	395	350	329

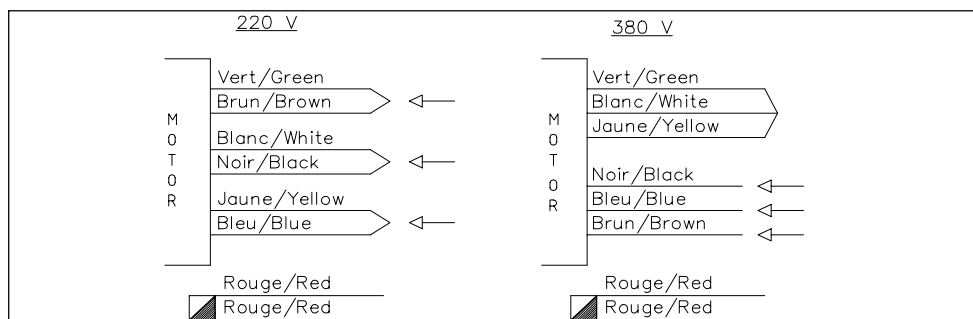
We are constantly working to make our products better and more reliable. Therefore we cannot guarantee data update.
Therefore, although we put a lot of care in the making of our documentation, we cannot be held responsible for any error and/or omissions that could have slipped in.

PERFORMANCE CURVES

measured in our laboratory according to AMCA/ASHRAE 210.85 fig.12



WIRING DIAGRAM



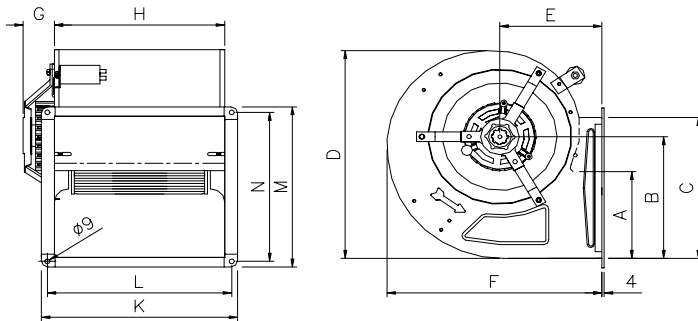
FAN TECHNICAL DATA

ID CODE	710100
FAN NAME	DD 11-11-14 5/4 BB
SUPPLY	230 V - 50 Hz
MOTOR	5/4 4PO BB (B0024.01)
CAPACITOR	30 μ F
THERMAL PROTECTION	Incorporated
IP CLASS	20
THERMAL CLASS	B
CONFORMITY	CE
SPEED CONTROL	ESB10

NOMINAL INSTALLATION DATA

	Pressure (Pa)	Amps (A)	Abs.Power (W)	Max air T°(TM) (°C)
Minimum	250	7,2	1630	50
Maximum	750	4,1	930	65

DIMENSIONS

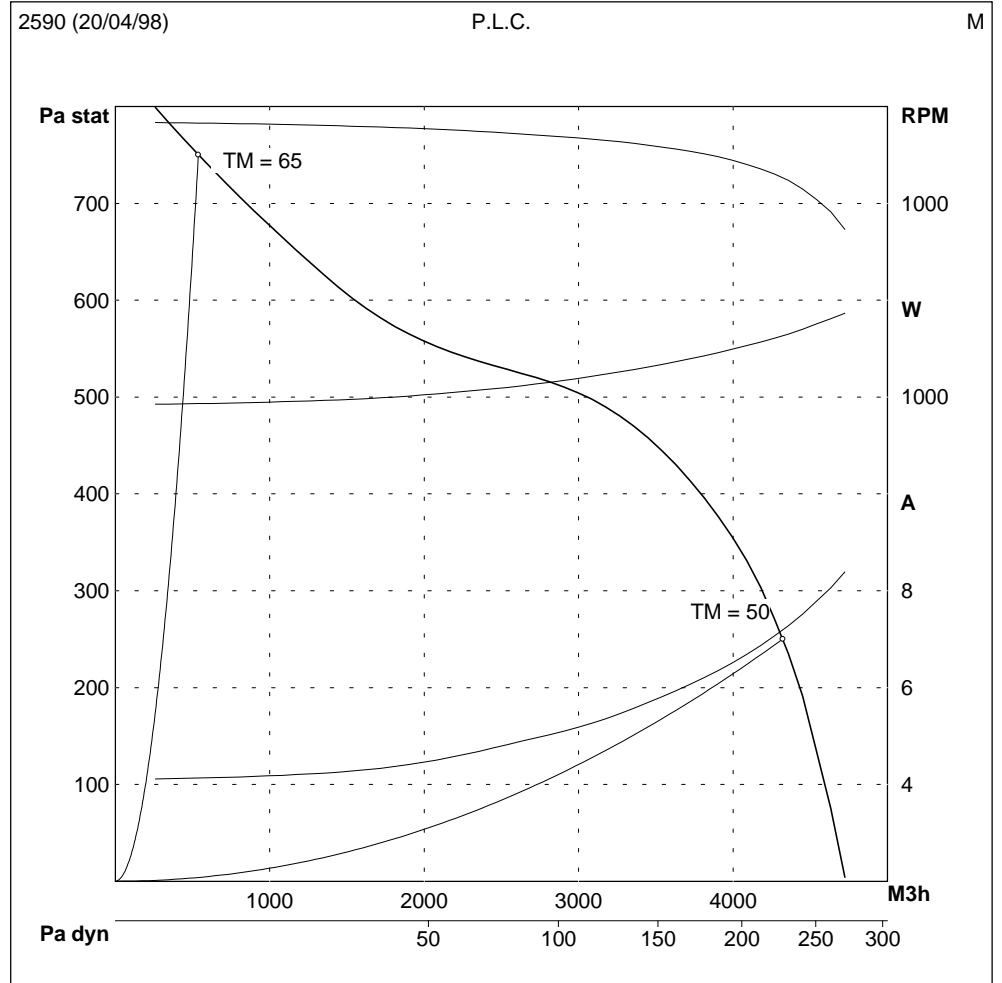


A	B	C	D	E	F	G	H	K	L	M	N
167	262	313	456	193	432	40	370	416	395	350	329

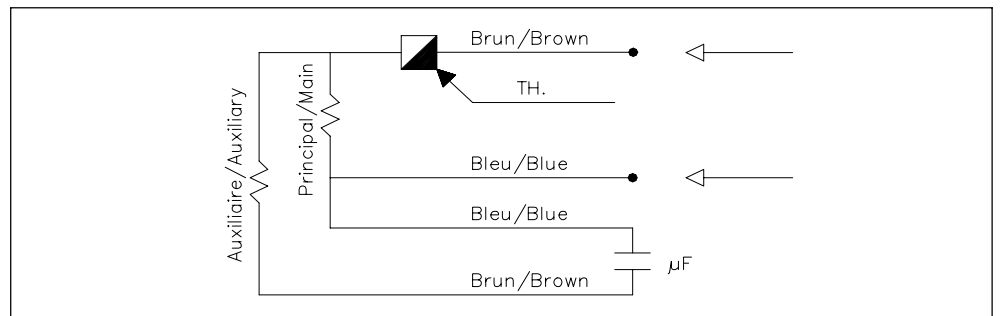
We are constantly working to make our products better and more reliable. Therefore we cannot guarantee data update.
Therefore, although we put a lot of care in the making of our documentation, we cannot be held responsible for any error and/or omissions that could have slipped in.

PERFORMANCE CURVES

measured in our laboratory according to AMCA/ASHRAE 210.85 fig.12



WIRING DIAGRAM



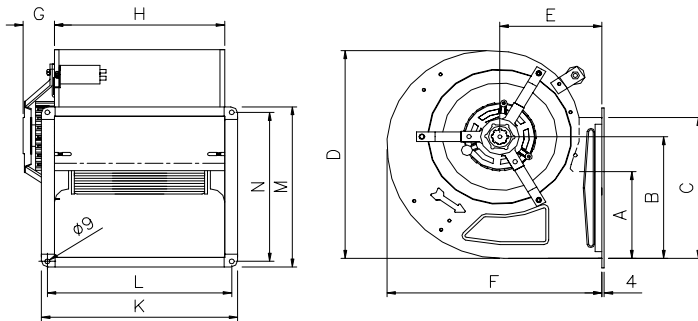
FAN TECHNICAL DATA

ID CODE	710054
FAN NAME	DD 11-11-9 3/4 BB
SUPPLY	230 V - 50 Hz
MOTOR	3/4 6PO BB (110344.11)
CAPACITOR	14 μ F
THERMAL PROTECTION	Incorporated
IP CLASS	44
THERMAL CLASS	B
CONFORMITY	CE
SPEED CONTROL	ESB5

NOMINAL INSTALLATION DATA

	Pressure (Pa)	Amps (A)	Abs.Power (W)	Max air T°(TM) (°C)
Minimum	100	4,2	860	50
Maximum	340	2,8	490	50

DIMENSIONS

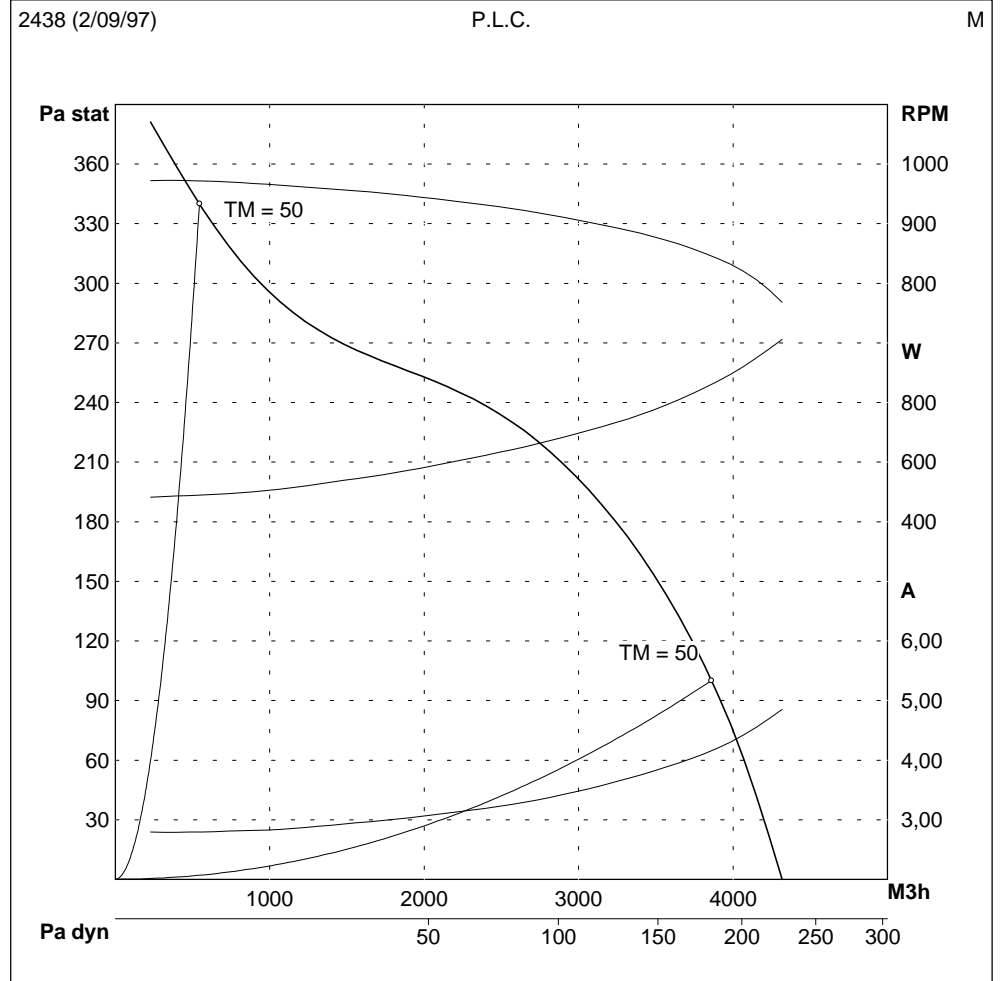


A	B	C	D	E	F	G	H	K	L	M	N
167	262	313	456	193	432	44	370	416	395	350	329

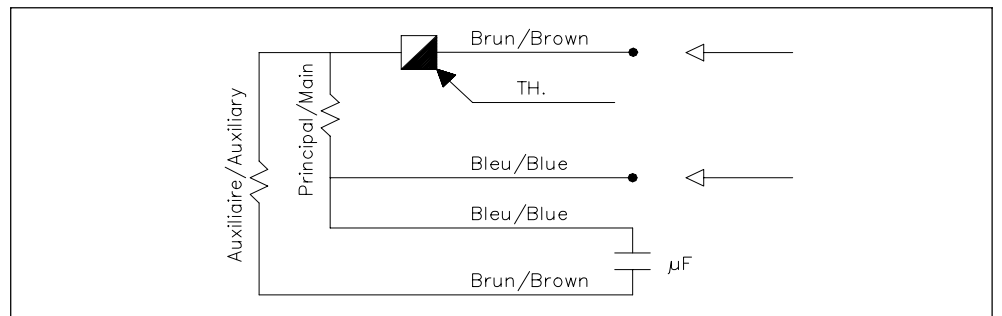
We are constantly working to make our products better and more reliable. Therefore we cannot guarantee data update.
Therefore, although we put a lot of care in the making of our documentation, we cannot be held responsible for any error and/or omissions that could have slipped in.

PERFORMANCE CURVES

measured in our laboratory according to AMCA/ASHRAE 210.85 fig.12



WIRING DIAGRAM



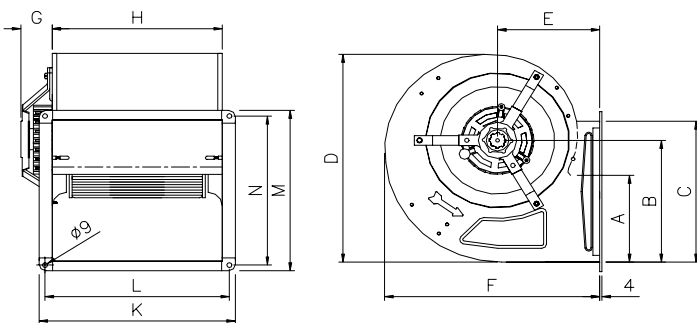
FAN TECHNICAL DATA

ID CODE	710059
FAN NAME	DD 12-9-9 1/1 T i BB
SUPPLY	3 x 400 V - 50 Hz
MOTOR	1/1 6PO BB T i (B0004.03)
CAPACITOR	-
THERMAL PROTECTION	Incorporated
IP CLASS	44
THERMAL CLASS	B
CONFORMITY	CE
SPEED CONTROL	-

NOMINAL INSTALLATION DATA

Pressure (Pa)	Amps (A)	Abs.Power (W)	Max air T°(TM) (°C)
Minimum	0	3,06	45
Maximum	370	1,73	55

DIMENSIONS

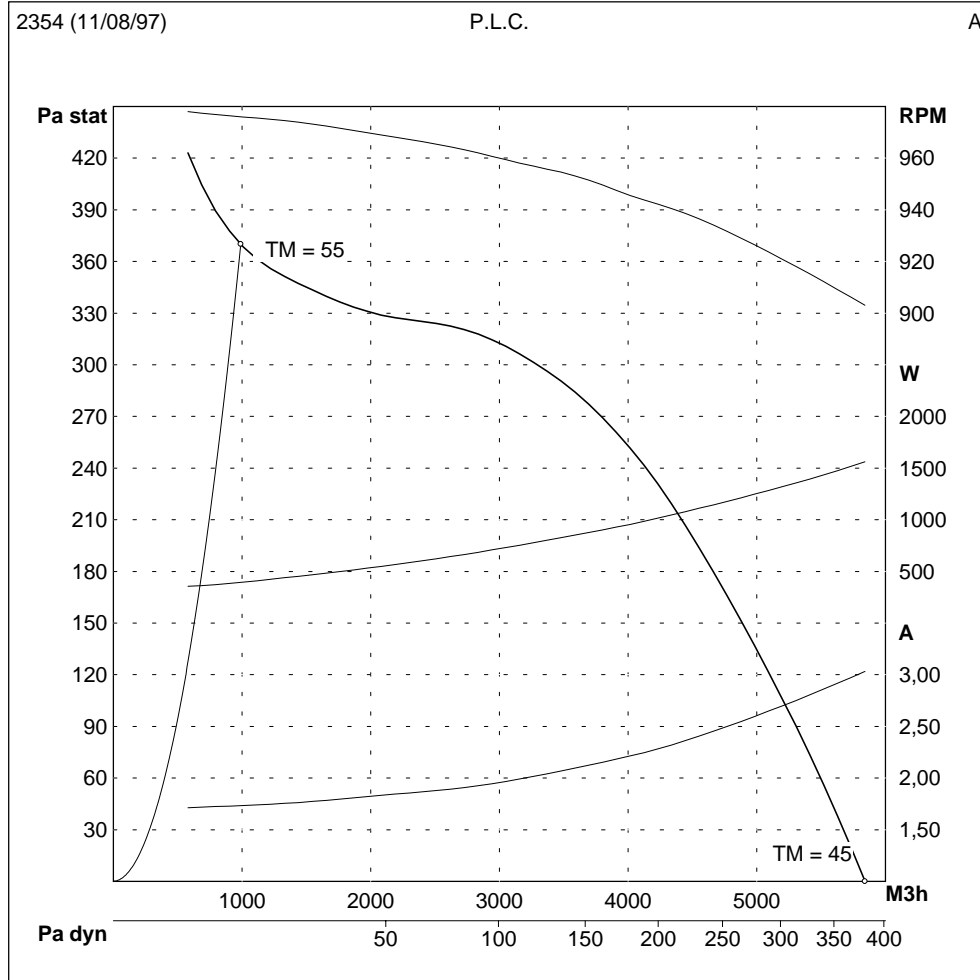


A	B	C	D	E	F	G	H	K	L	M	N
206	292	341	521	230	492	50	313	357	336	378	357

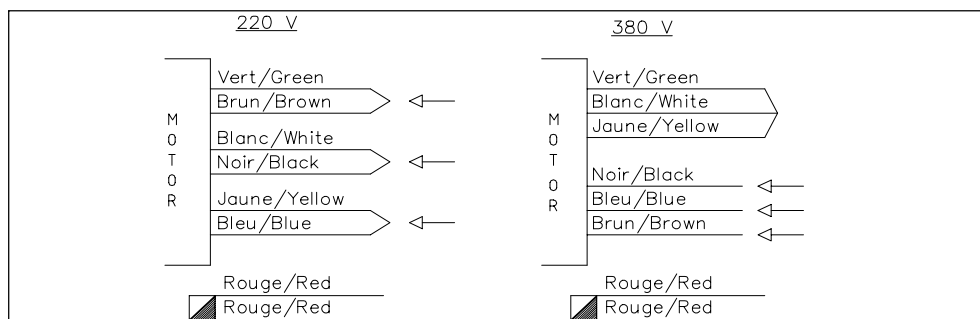
We are constantly working to make our products better and more reliable. Therefore we cannot guarantee data update.
Therefore, although we put a lot of care in the making of our documentation, we cannot be held responsible for any error and/or omissions that could have slipped in.

PERFORMANCE CURVES

measured in our laboratory according to AMCA/ASHRAE 210.85 fig.12



WIRING DIAGRAM



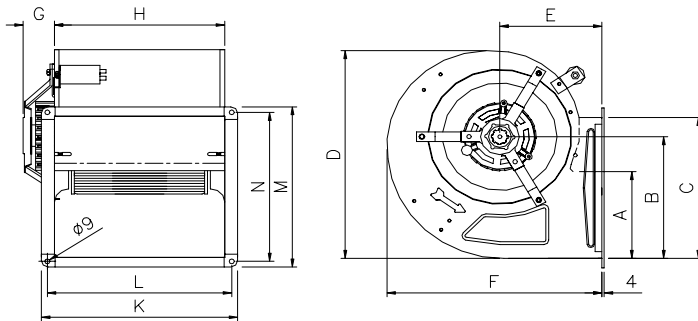
FAN TECHNICAL DATA

ID CODE	710060
FAN NAME	DD 12-9-9 5/4 BB
SUPPLY	230 V - 50 Hz
MOTOR	5/4 6PO BB (B0074.00)
CAPACITOR	16 μ F
THERMAL PROTECTION	Incorporated
IP CLASS	44
THERMAL CLASS	F
CONFORMITY	CE
SPEED CONTROL	ESB10

NOMINAL INSTALLATION DATA

	Pressure (Pa)	Amps (A)	Abs.Power (W)	Max air T°(TM) (°C)
Minimum	100	8,6	1600	60
Maximum	340	6,7	760	65

DIMENSIONS

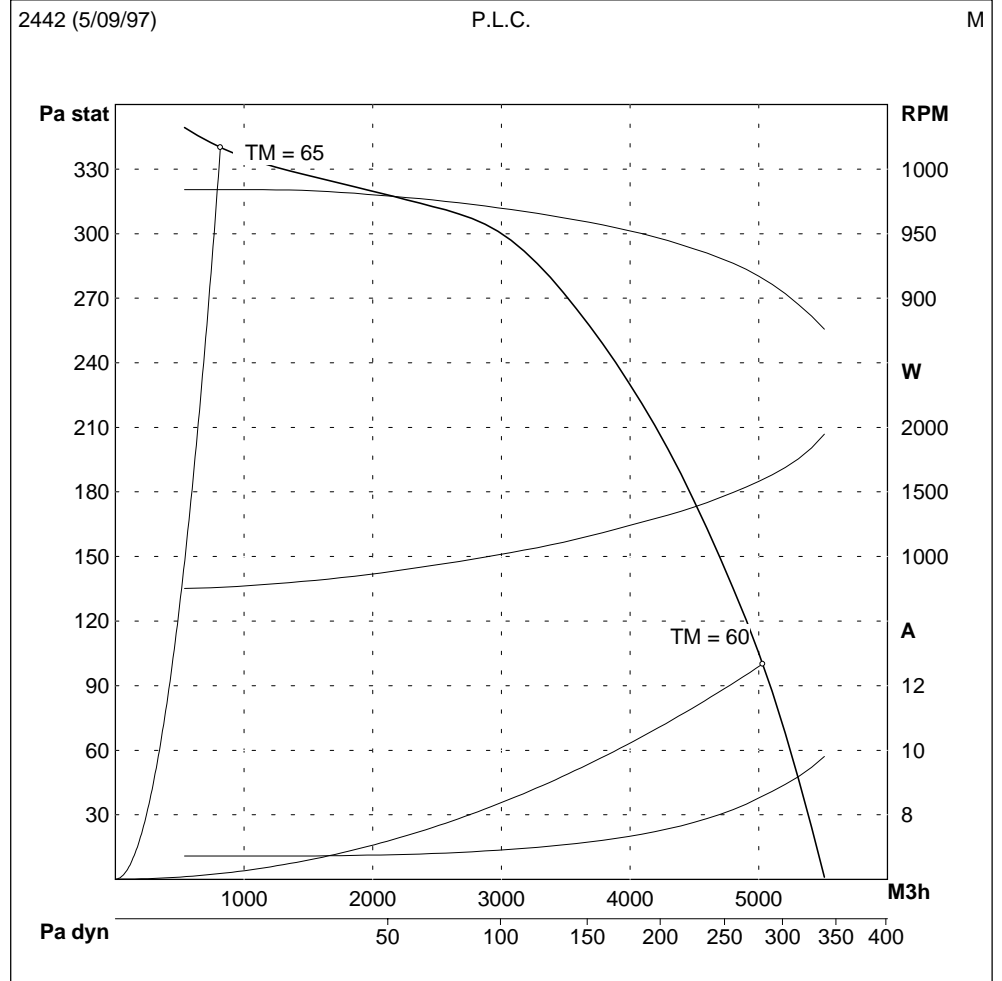


A	B	C	D	E	F	G	H	K	L	M	N
206	292	341	521	230	492	55	313	357	336	378	357

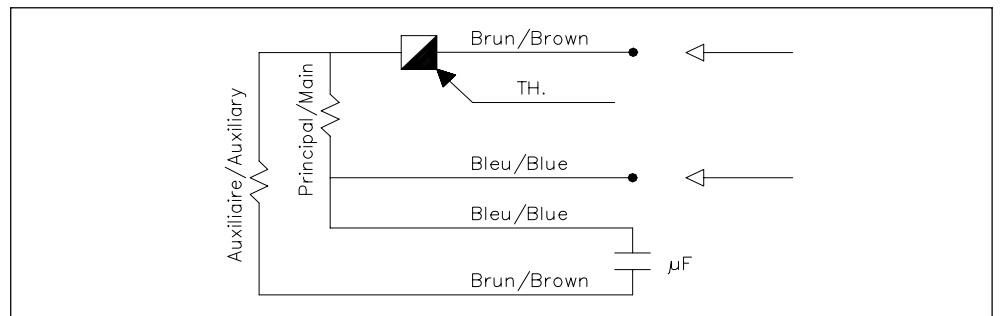
We are constantly working to make our products better and more reliable. Therefore we cannot guarantee data update.
Therefore, although we put a lot of care in the making of our documentation, we cannot be held responsible for any error and/or omissions that could have slipped in.

PERFORMANCE CURVES

measured in our laboratory according to AMCA/ASHRAE 210.85 fig.12



WIRING DIAGRAM



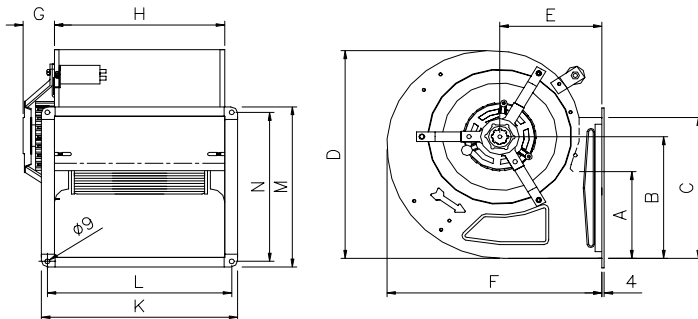
FAN TECHNICAL DATA

ID CODE	710230
FAN NAME	DD 12-9-9 S 5/4 BB
SUPPLY	230 V - 50 Hz
MOTOR	5/4 6PO BB (B0074.00)
CAPACITOR	20 μ F
THERMAL PROTECTION	Incorporated
IP CLASS	44
THERMAL CLASS	F
CONFORMITY	CE
SPEED CONTROL	ESB10

NOMINAL INSTALLATION DATA

	Pressure (Pa)	Amps (A)	Abs.Power (W)	Max air T°(TM) (°C)
Minimum	50	8,6	1680	60
Maximum	315	6,5	960	60

DIMENSIONS

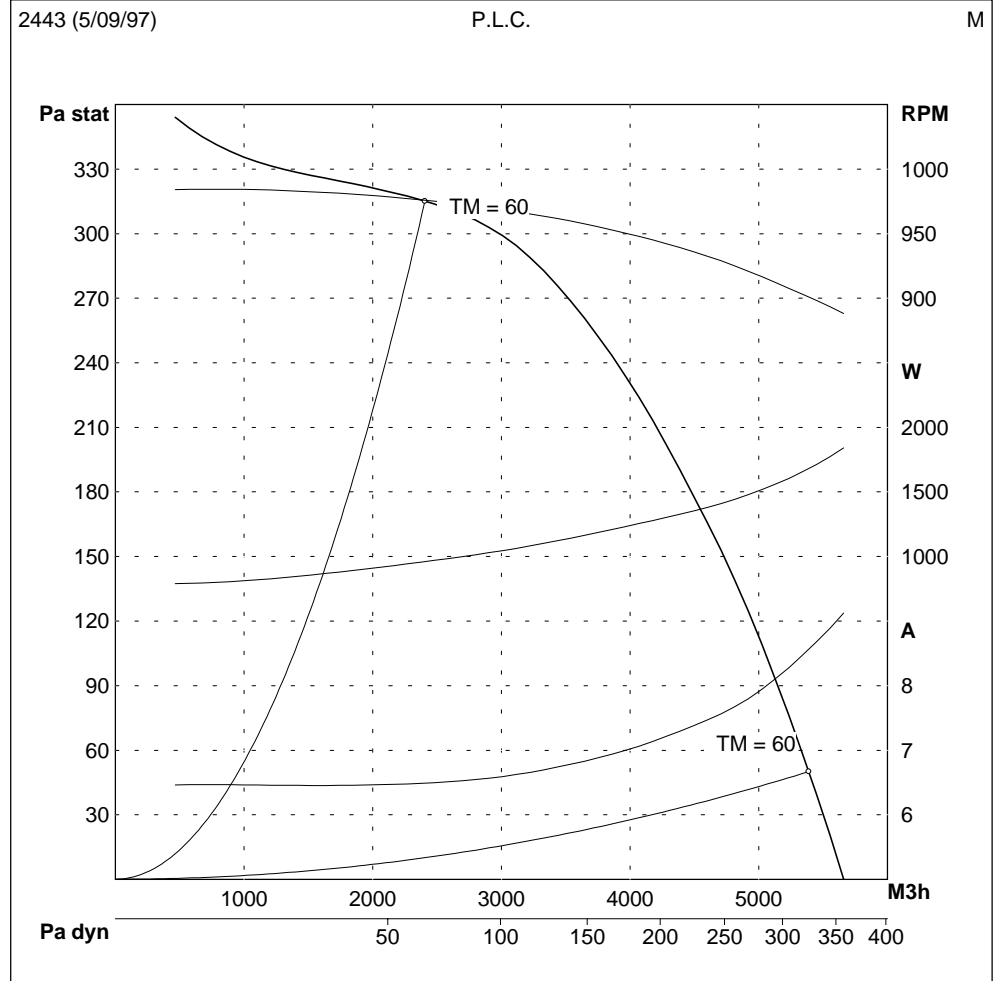


A	B	C	D	E	F	G	H	K	L	M	N
206	292	341	521	230	492	55	313	357	336	378	357

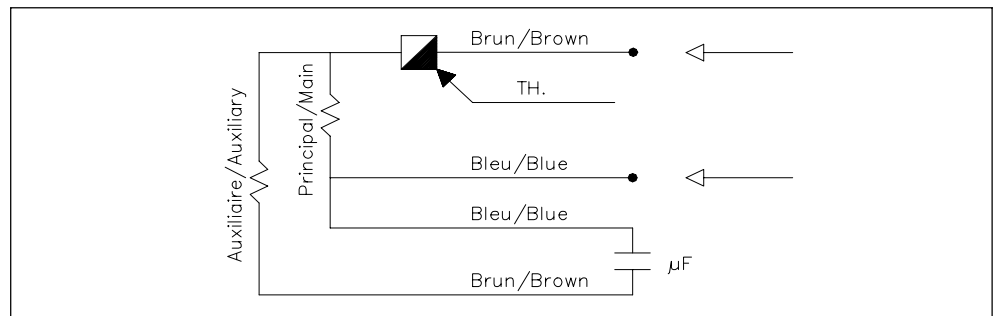
We are constantly working to make our products better and more reliable. Therefore we cannot guarantee data update.
Therefore, although we put a lot of care in the making of our documentation, we cannot be held responsible for any error and/or omissions that could have slipped in.

PERFORMANCE CURVES

measured in our laboratory according to AMCA/ASHRAE 210.85 fig.12



WIRING DIAGRAM



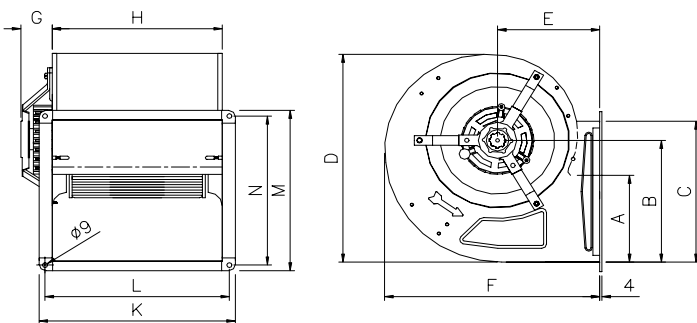
FAN TECHNICAL DATA

ID CODE	710061
FAN NAME	DD 12-12-9 1/1 T i BB
SUPPLY	3 x 380 V - 50 Hz
MOTOR	1/1 6PO BB T i (B0004.03)
CAPACITOR	-
THERMAL PROTECTION	Incorporated
IP CLASS	44
THERMAL CLASS	B
CONFORMITY	CE
SPEED CONTROL	-

NOMINAL INSTALLATION DATA

Pressure (Pa)	Amps (A)	Abs.Power (W)	Max air T°(TM) (°C)
Minimum	50	3,4	45
Maximum	350	1,7	55

DIMENSIONS

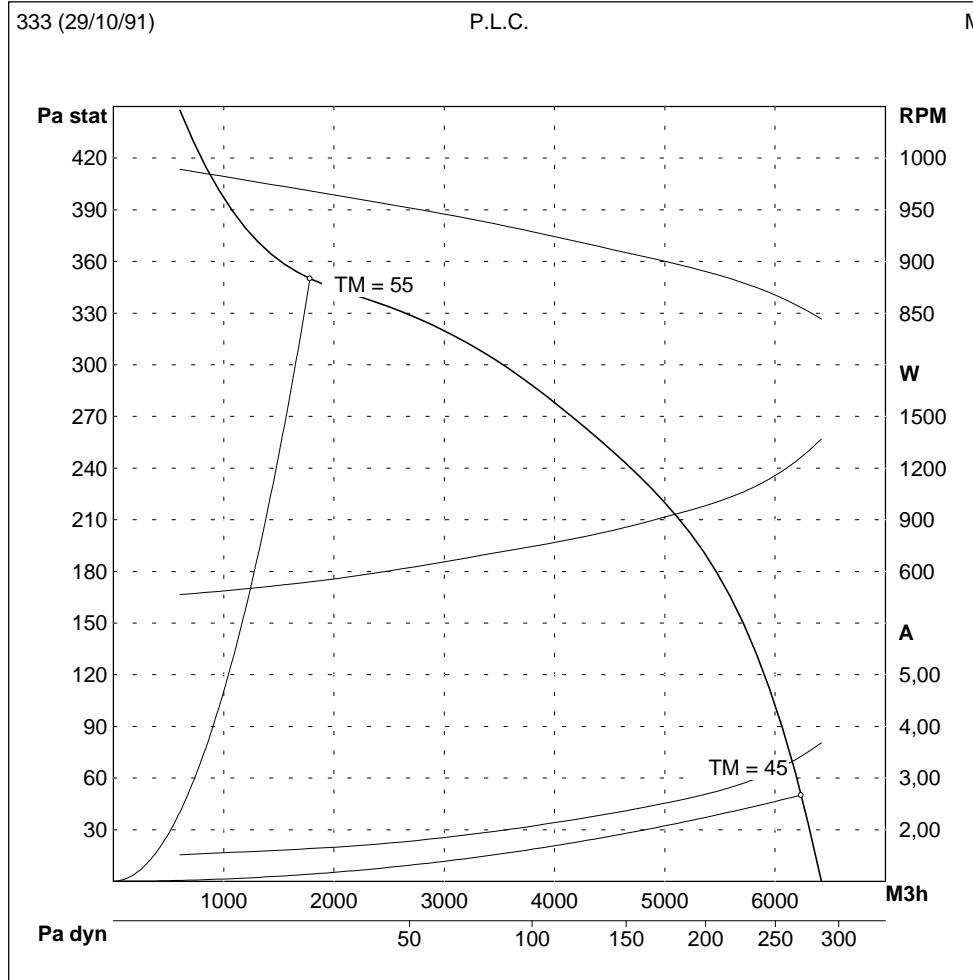


A	B	C	D	E	F	G	H	K	L	M	N
206	292	341	521	230	492	50	397	443	422	378	357

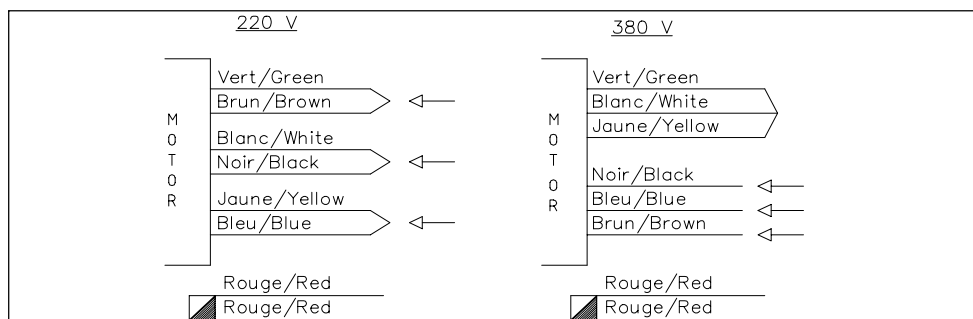
We are constantly working to make our products better and more reliable. Therefore we cannot guarantee data update.
Therefore, although we put a lot of care in the making of our documentation, we cannot be held responsible for any error and/or omissions that could have slipped in.

PERFORMANCE CURVES

measured in our laboratory according to AMCA/ASHRAE 210.85 fig.12



WIRING DIAGRAM



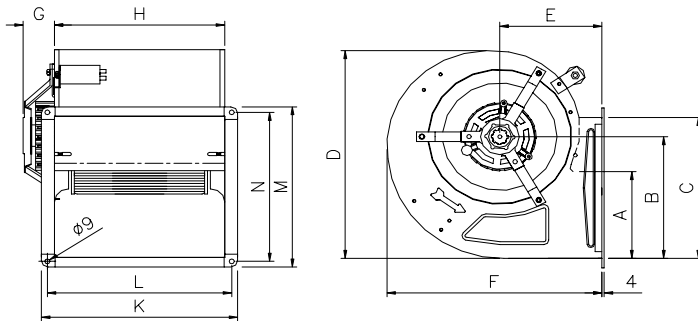
FAN TECHNICAL DATA

ID CODE	710063
FAN NAME	DD 12-12-9 5/4 BB
SUPPLY	230 V - 50 Hz
MOTOR	5/4 6PO BB (B0074.00)
CAPACITOR	20 μ F
THERMAL PROTECTION	Incorporated
IP CLASS	44
THERMAL CLASS	F
CONFORMITY	CE
SPEED CONTROL	ESB10

NOMINAL INSTALLATION DATA

	Pressure (Pa)	Amps (A)	Abs.Power (W)	Max air T°(TM) (°C)
Minimum	150	9,2	1850	60
Maximum	330	6,6	900	60

DIMENSIONS

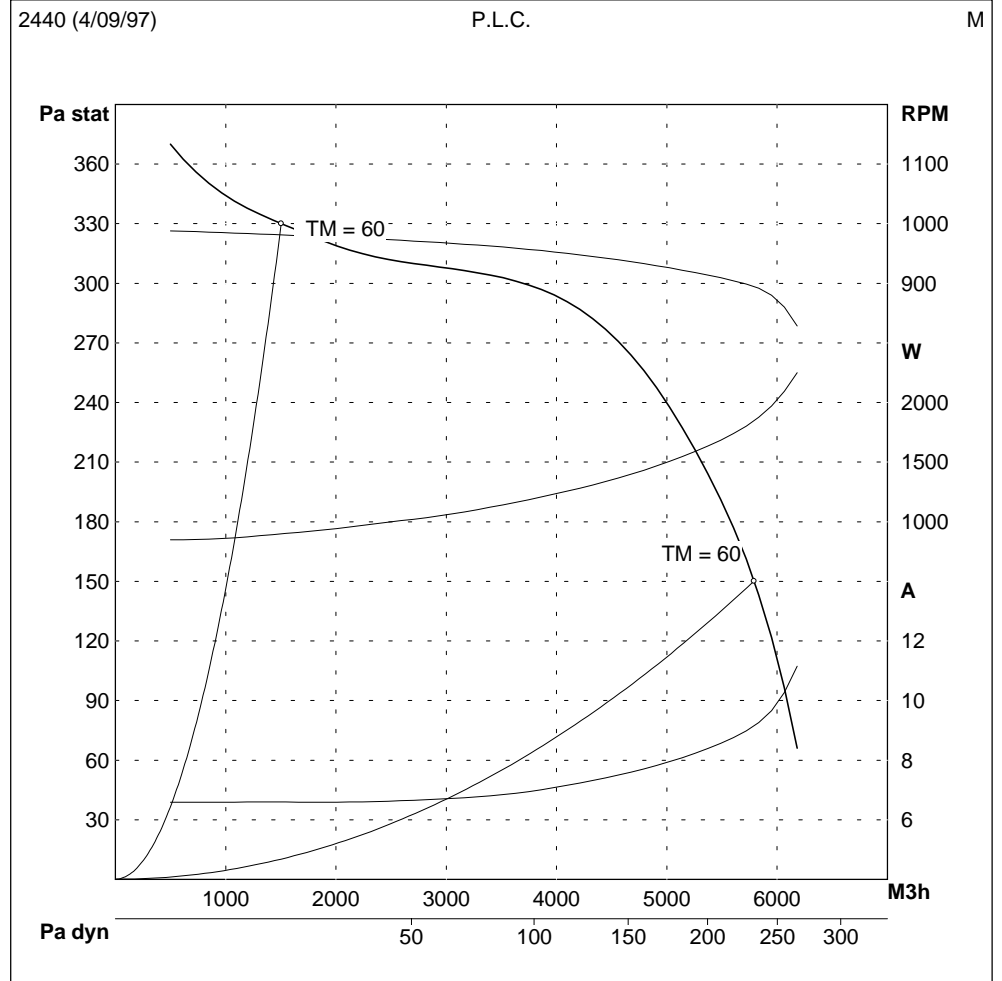


A	B	C	D	E	F	G	H	K	L	M	N
206	292	341	521	230	492	55	397	443	422	378	357

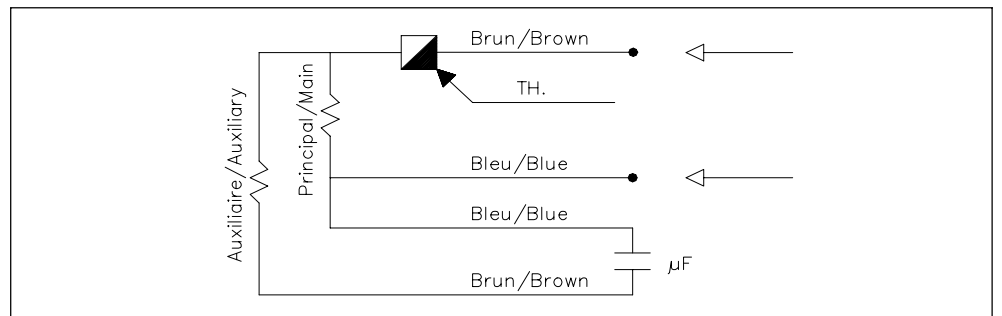
We are constantly working to make our products better and more reliable. Therefore we cannot guarantee data update.
Therefore, although we put a lot of care in the making of our documentation, we cannot be held responsible for any error and/or omissions that could have slipped in.

PERFORMANCE CURVES

measured in our laboratory according to AMCA/ASHRAE 210.85 fig.12



WIRING DIAGRAM



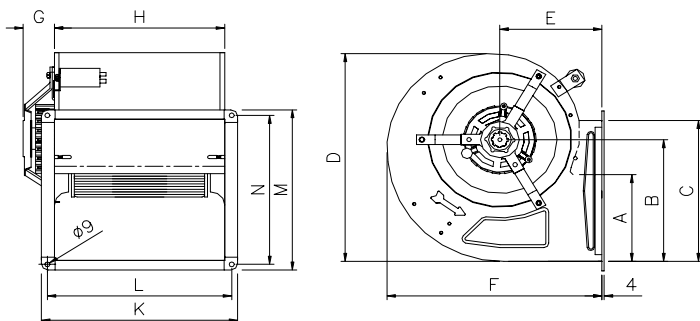
FAN TECHNICAL DATA

ID CODE	710232
FAN NAME	DD 12-12-9 S 5/4 BB
SUPPLY	230 V - 50 Hz
MOTOR	5/4 6PO BB (B0074.00)
CAPACITOR	25 µF
THERMAL PROTECTION	Incorporated
IP CLASS	44
THERMAL CLASS	F
CONFORMITY	CE
SPEED CONTROL	ESB10

NOMINAL INSTALLATION DATA

	Pressure (Pa)	Amps (A)	Abs.Power (W)	Max air T°(TM) (°C)
Minimum	100	9,6	2010	60
Maximum	280	7,2	1380	60

DIMENSIONS

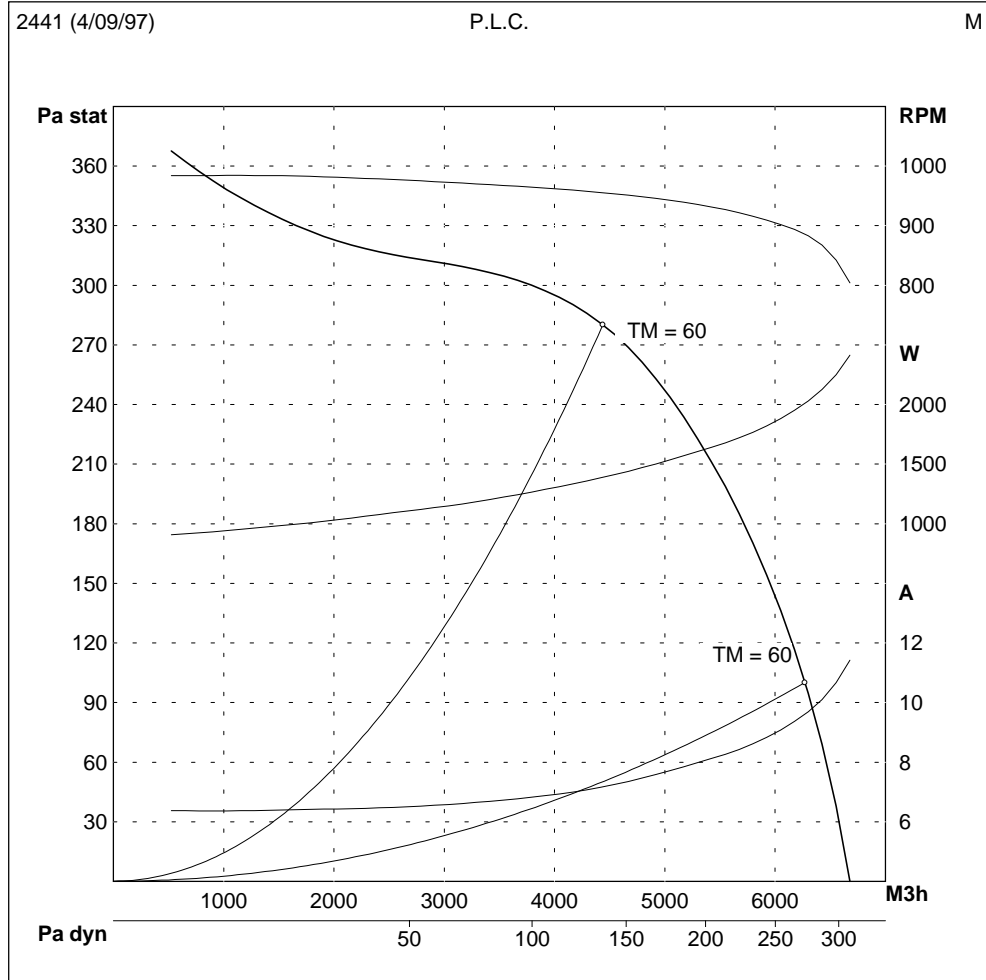


A	B	C	D	E	F	G	H	K	L	M	N
206	292	341	521	230	492	55	397	443	422	378	357

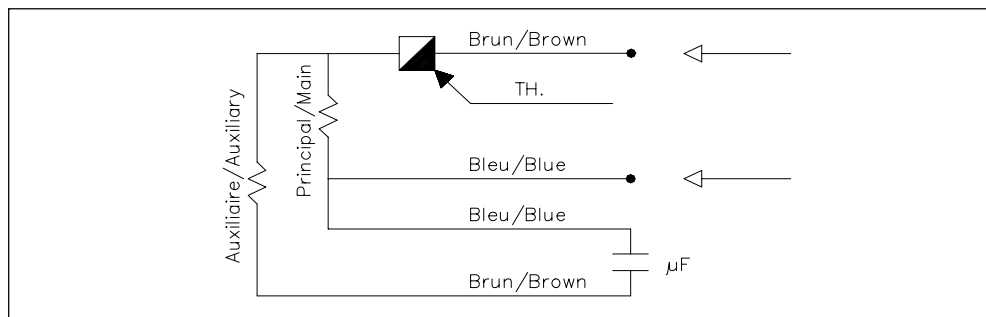
We are constantly working to make our products better and more reliable. Therefore we cannot guarantee data update.
Therefore, although we put a lot of care in the making of our documentation, we cannot be held responsible for any error and/or omissions that could have slipped in.

PERFORMANCE CURVES

measured in our laboratory according to AMCA/ASHRAE 210.85 fig.12



WIRING DIAGRAM



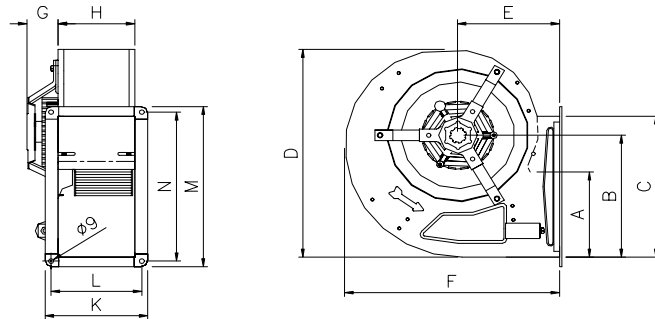
FAN TECHNICAL DATA

ID CODE	750011
FAN NAME	DS 7-3-14 1/16 BB
SUPPLY	230 V - 50 Hz
MOTOR	1/16 4PO BB (C0014.00)
CAPACITOR	3 μ F
THERMAL PROTECTION	Incorporated
IP CLASS	44
THERMAL CLASS	B
CONFORMITY	CE
SPEED CONTROL	ES3

NOMINAL INSTALLATION DATA

	Pressure (Pa)	Amps (A)	Abs.Power (W)	Max air T°(TM) (°C)
Minimum	0	0,66	146	60
Maximum	200	0,45	83	60

DIMENSIONS

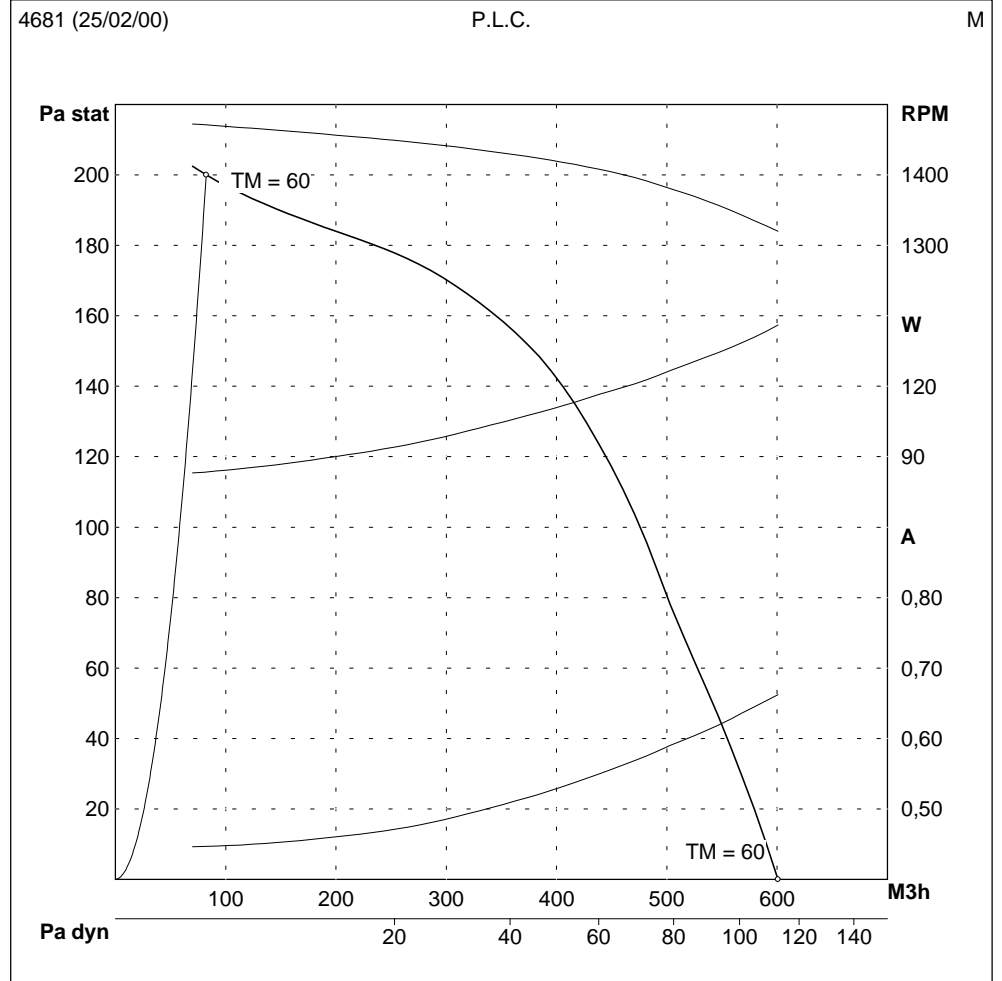


A	B	C	D	E	F	G	H	K	L	M	N
106	164	210	291	125	270	37	115	161	140	246	225

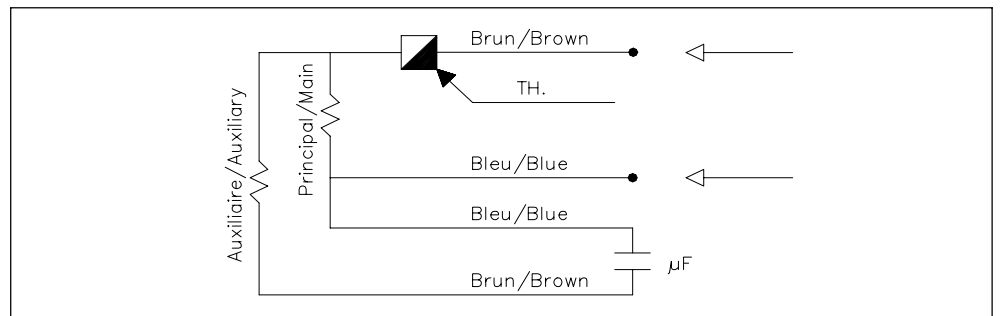
We are constantly working to make our products better and more reliable. Therefore we cannot guarantee data update.
Therefore, although we put a lot of care in the making of our documentation, we cannot be held responsible for any error and/or omissions that could have slipped in.

PERFORMANCE CURVES

measured in our laboratory according to AMCA/ASHRAE 210.85 fig.12



WIRING DIAGRAM



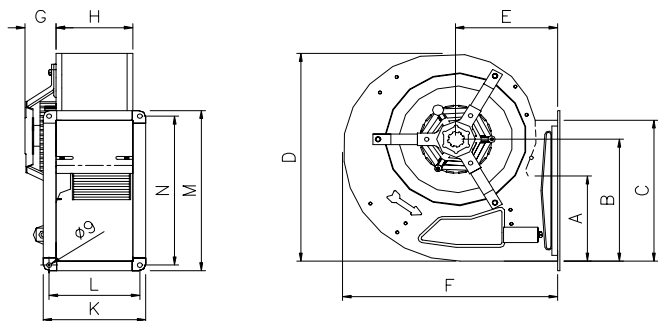
FAN TECHNICAL DATA

ID CODE	750012
FAN NAME	DS 8-4-14 1/8 BB
SUPPLY	230 V - 50 Hz
MOTOR	1/8 4PO BB (C0009.31)
CAPACITOR	4 μ F
THERMAL PROTECTION	Incorporated
IP CLASS	44
THERMAL CLASS	B
CONFORMITY	CE
SPEED CONTROL	ES3

NOMINAL INSTALLATION DATA

Pressure (Pa)	Amps (A)	Abs.Power (W)	Max air T°(TM) (°C)
Minimum	0	1,2	60
Maximum	215	0,93	65

DIMENSIONS

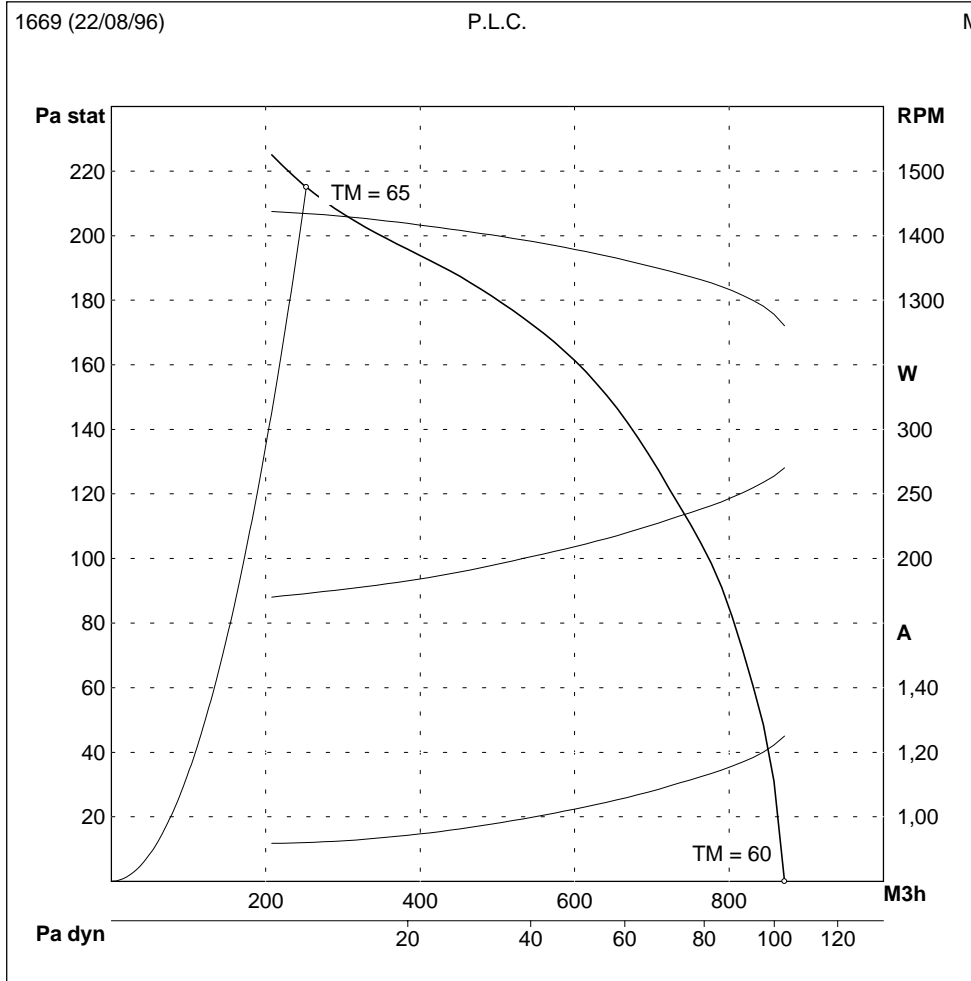


A	B	C	D	E	F	G	H	K	L	M	N
137	200	203	325	145	292	47	135	181	160	238	217

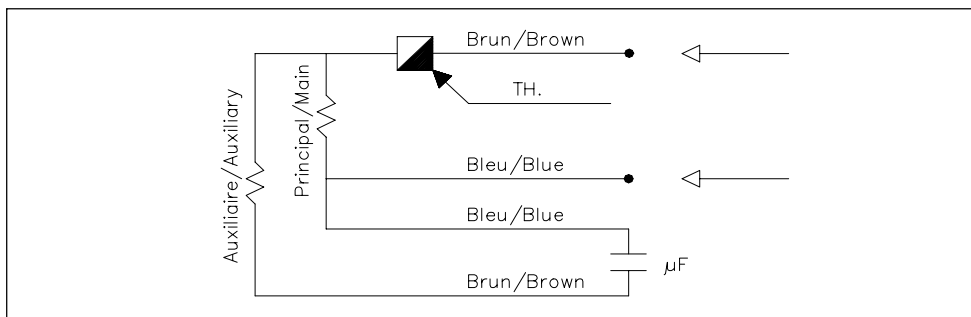
We are constantly working to make our products better and more reliable. Therefore we cannot guarantee data update.
Therefore, although we put a lot of care in the making of our documentation, we cannot be held responsible for any error and/or omissions that could have slipped in.

PERFORMANCE CURVES

measured in our laboratory according to AMCA/ASHRAE 210.85 fig.12



WIRING DIAGRAM



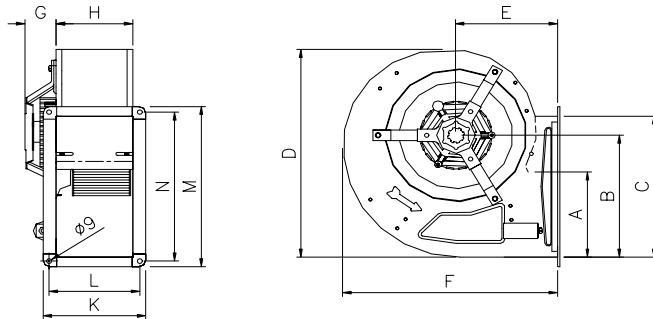
FAN TECHNICAL DATA

ID CODE	750013
FAN NAME	DS 10-4-14 1/2 BB
SUPPLY	230 V - 50 Hz
MOTOR	1/2 4PO BB (110619.00)
CAPACITOR	8 μ F
THERMAL PROTECTION	Incorporated
IP CLASS	44
THERMAL CLASS	B
CONFORMITY	CE
SPEED CONTROL	ESB5

NOMINAL INSTALLATION DATA

	Pressure (Pa)	Amps (A)	Abs.Power (W)	Max air T°(TM) (°C)
Minimum	0	3,2	650	65
Maximum	430	2	300	65

DIMENSIONS

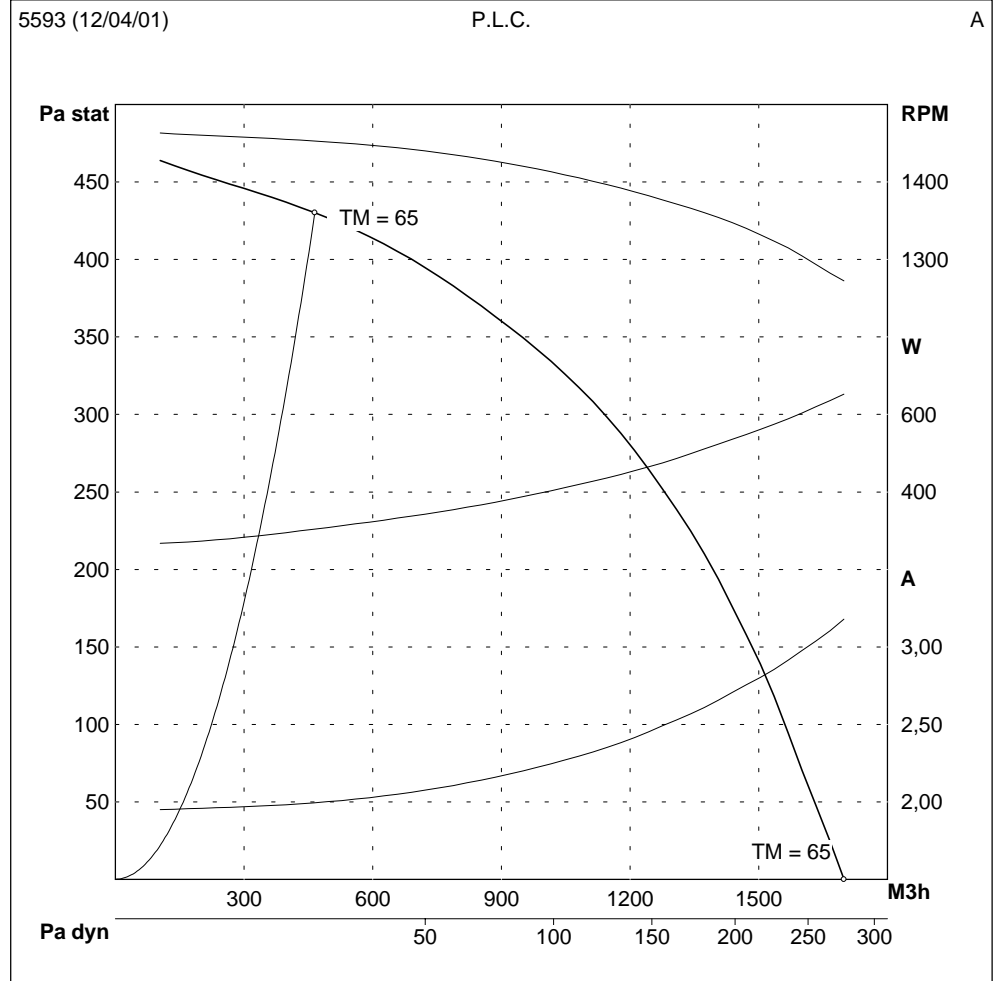


A	B	C	D	E	F	G	H	K	L	M	N
163	229	265	391	180	379	85	135	181	160	301	280

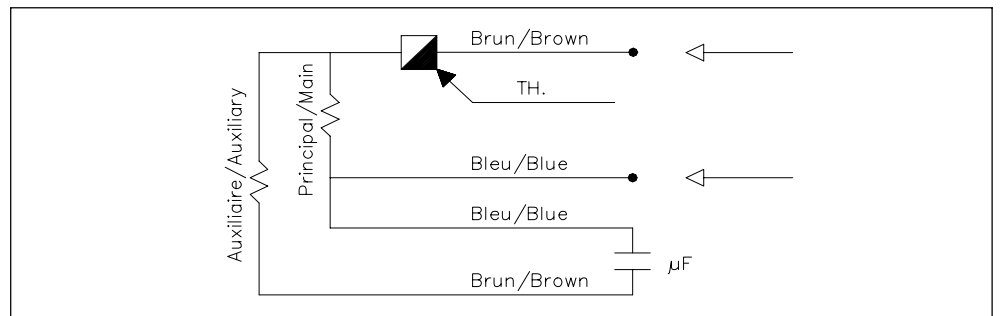
We are constantly working to make our products better and more reliable. Therefore we cannot guarantee data update.
Therefore, although we put a lot of care in the making of our documentation, we cannot be held responsible for any error and/or omissions that could have slipped in.

PERFORMANCE CURVES

measured in our laboratory according to AMCA/ASHRAE 210.85 fig.12



WIRING DIAGRAM



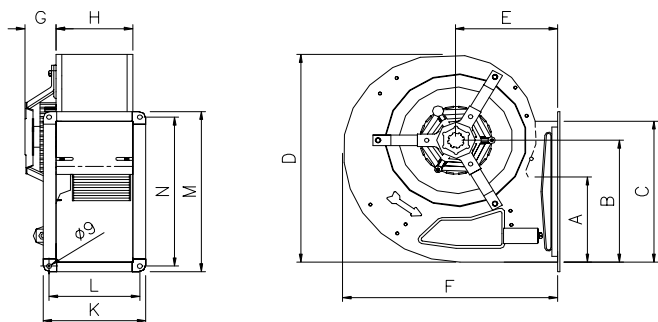
FAN TECHNICAL DATA

ID CODE	750002
FAN NAME	DS 10-4-9 1/6 BB
SUPPLY	230 V - 50 Hz
MOTOR	1/6 6PO BB (110173.04)
CAPACITOR	4 μ F
THERMAL PROTECTION	Incorporated
IP CLASS	44
THERMAL CLASS	B
CONFORMITY	CE
SPEED CONTROL	ES3

NOMINAL INSTALLATION DATA

	Pressure (Pa)	Amps (A)	Abs.Power (W)	Max air T°(TM) (°C)
Minimum	0	1,2	250	65
Maximum	190	0,73	126	65

DIMENSIONS

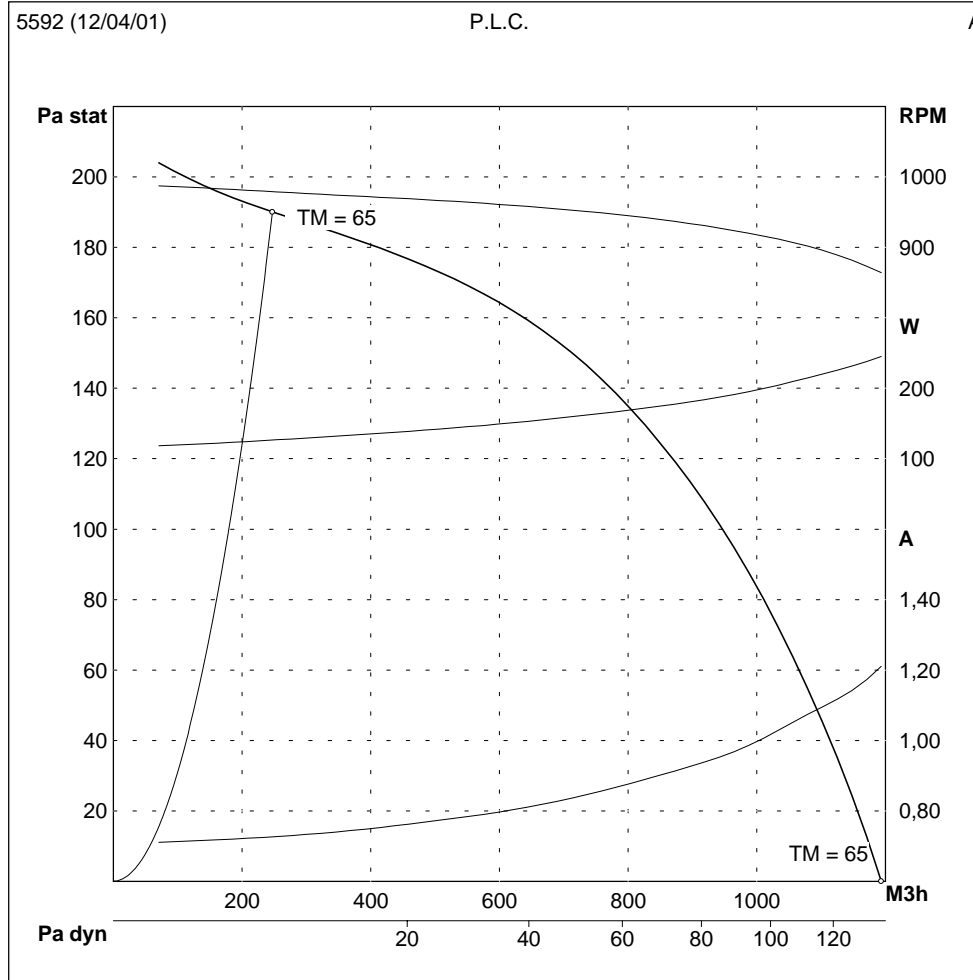


A	B	C	D	E	F	G	H	K	L	M	N
163	229	265	391	180	379	62	135	181	160	301	280

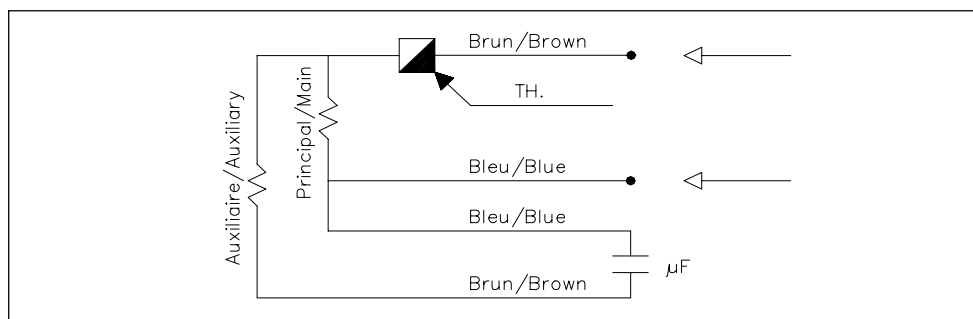
We are constantly working to make our products better and more reliable. Therefore we cannot guarantee data update.
Therefore, although we put a lot of care in the making of our documentation, we cannot be held responsible for any error and/or omissions that could have slipped in.

PERFORMANCE CURVES

measured in our laboratory according to AMCA/ASHRAE 210.85 fig.12



WIRING DIAGRAM



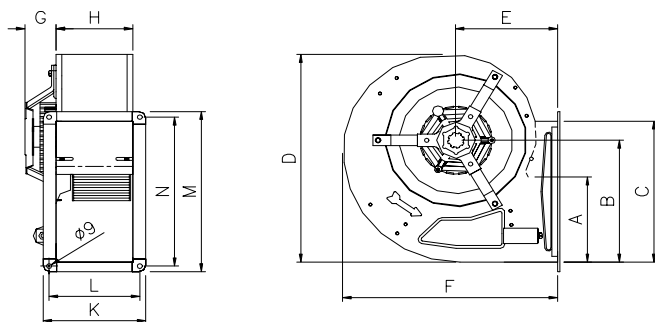
FAN TECHNICAL DATA

ID CODE	750014
FAN NAME	DS 11-4-14 5/8 BB
SUPPLY	230 V - 50 Hz
MOTOR	5/8 4PO BB (110164.21)
CAPACITOR	12,5 µF
THERMAL PROTECTION	Incorporated
IP CLASS	44
THERMAL CLASS	B
CONFORMITY	CE
SPEED CONTROL	ESB10

NOMINAL INSTALLATION DATA

Pressure (Pa)	Amps (A)	Abs.Power (W)	Max air T°(TM) (°C)
Minimum	0	5,3	60
Maximum	570	2,6	65

DIMENSIONS

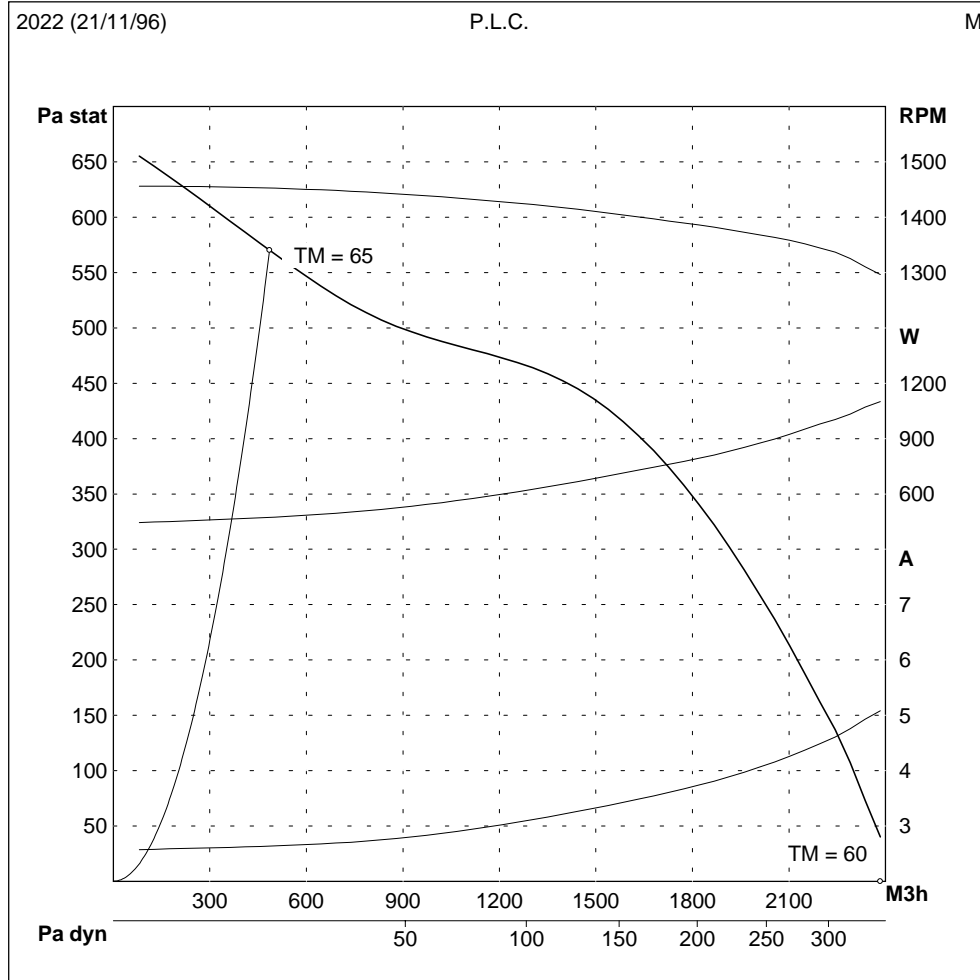


A	B	C	D	E	F	G	H	K	L	M	N
175	258	295	441	191	422	86	158	204	183	331	310

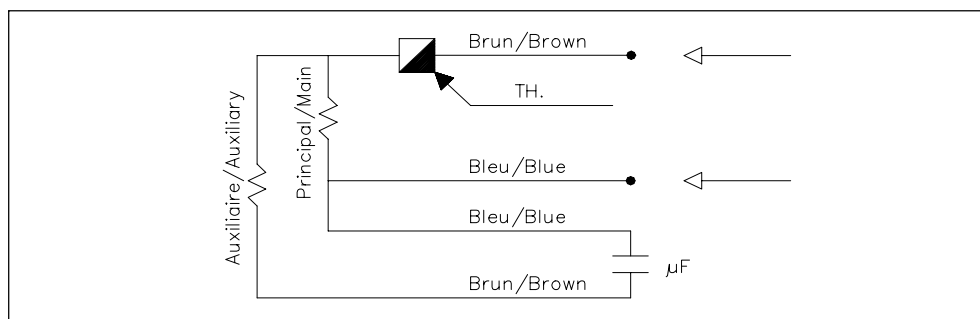
We are constantly working to make our products better and more reliable. Therefore we cannot guarantee data update.
Therefore, although we put a lot of care in the making of our documentation, we cannot be held responsible for any error and/or omissions that could have slipped in.

PERFORMANCE CURVES

measured in our laboratory according to AMCA/ASHRAE 210.85 fig.12



WIRING DIAGRAM



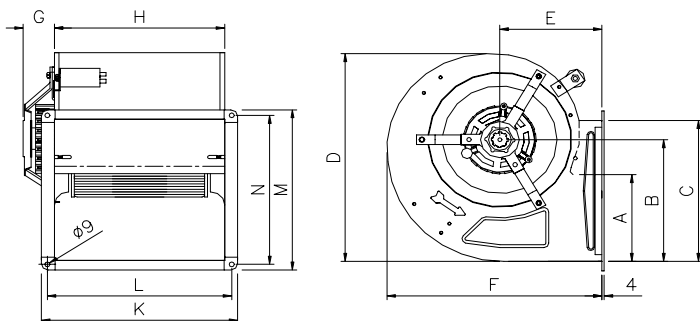
FAN TECHNICAL DATA

ID CODE	750005
FAN NAME	DS 11-4-9 1/3 BB
SUPPLY	230 V - 50 Hz
MOTOR	1/3 6PO BB (110517.04)
CAPACITOR	8 μ F
THERMAL PROTECTION	Incorporated
IP CLASS	44
THERMAL CLASS	F
CONFORMITY	CE
SPEED CONTROL	ES3

NOMINAL INSTALLATION DATA

Pressure (Pa)	Amps (A)	Abs.Power (W)	Max air T°(TM) (°C)
Minimum	0	2,3	60
Maximum	215	1,8	60

DIMENSIONS

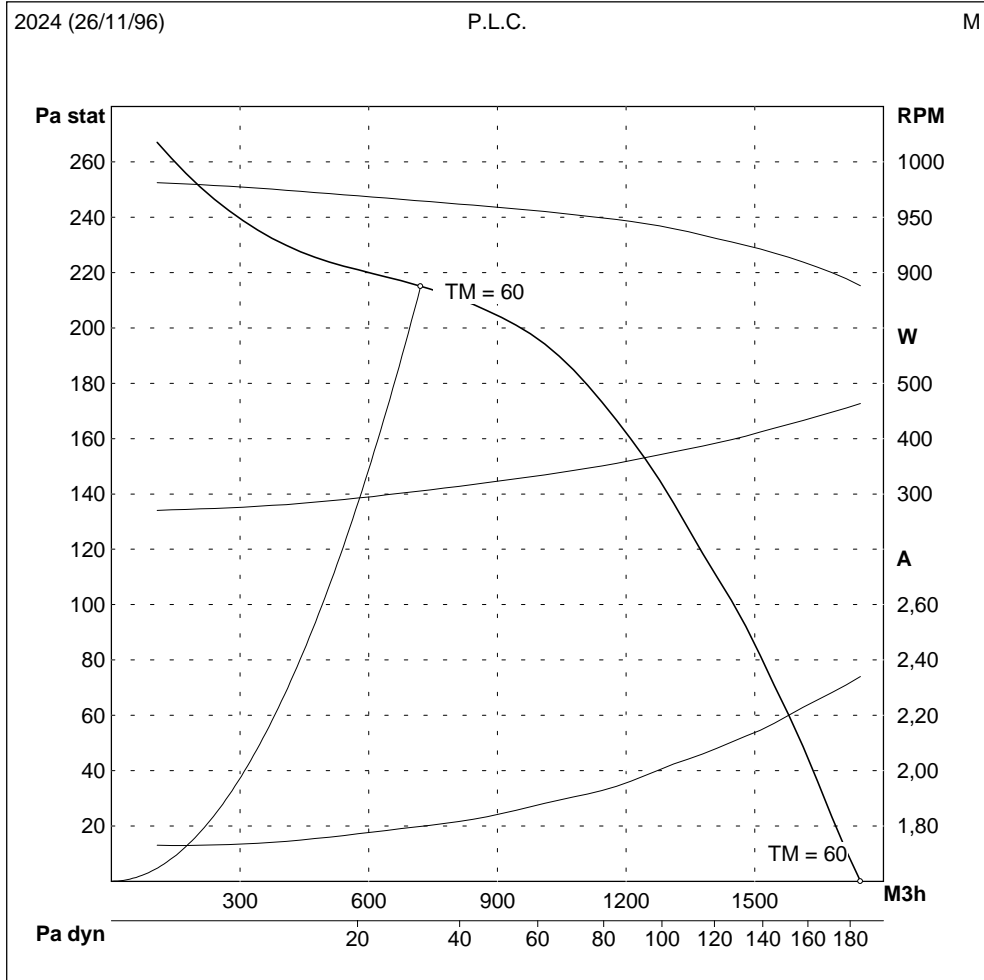


A	B	C	D	E	F	G	H	K	L	M	N
175	258	295	441	191	422	72	158	204	183	331	310

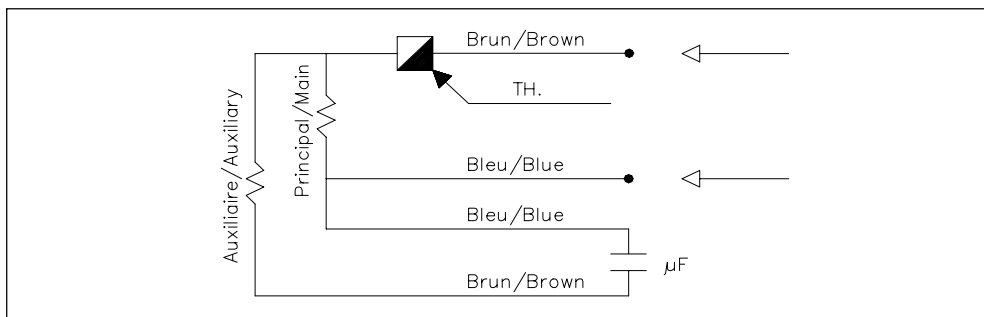
We are constantly working to make our products better and more reliable. Therefore we cannot guarantee data update.
Therefore, although we put a lot of care in the making of our documentation, we cannot be held responsible for any error and/or omissions that could have slipped in.

PERFORMANCE CURVES

measured in our laboratory according to AMCA/ASHRAE 210.85 fig.12



WIRING DIAGRAM



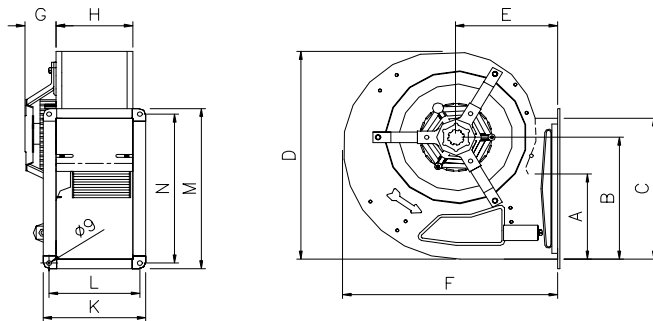
FAN TECHNICAL DATA

ID CODE	750020
FAN NAME	DS 12-5-14 3/4 BB
SUPPLY	230 V - 50 Hz
MOTOR	3/4 4PO BB (B0048.05)
CAPACITOR	20 µF
THERMAL PROTECTION	Incorporated
IP CLASS	44
THERMAL CLASS	F
CONFORMITY	CE
SPEED CONTROL	ESB10

NOMINAL INSTALLATION DATA

	Pressure (Pa)	Amps (A)	Abs.Power (W)	Max air T°(TM) (°C)
Minimum	200	7,7	1690	65
Maximum	710	3,3	700	65

DIMENSIONS

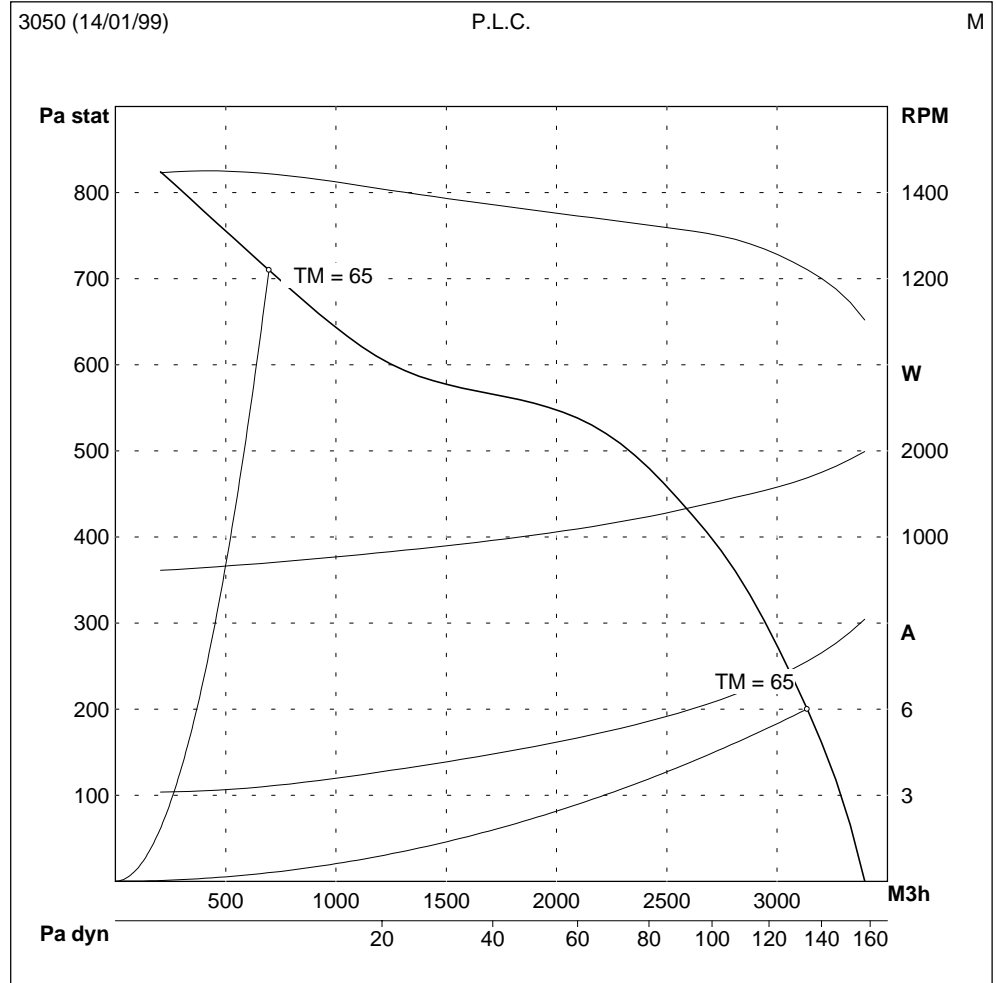


A	B	C	D	E	F	G	H	K	L	M	N
175	258	295	441	191	422	65	333	379	358	331	310

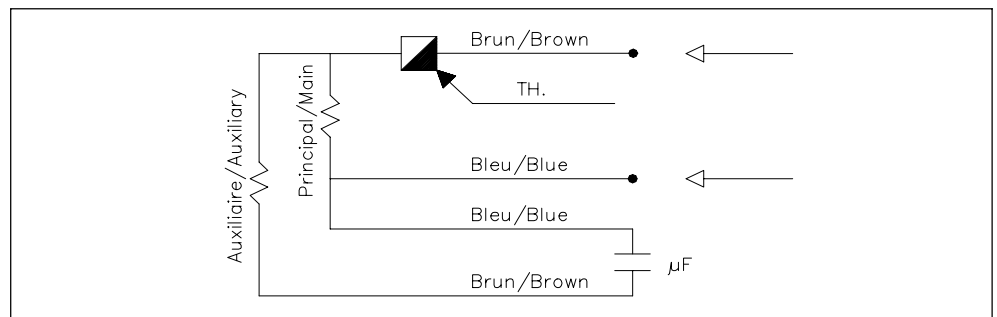
We are constantly working to make our products better and more reliable. Therefore we cannot guarantee data update.
Therefore, although we put a lot of care in the making of our documentation, we cannot be held responsible for any error and/or omissions that could have slipped in.

PERFORMANCE CURVES

measured in our laboratory according to AMCA/ASHRAE 210.85 fig.12



WIRING DIAGRAM



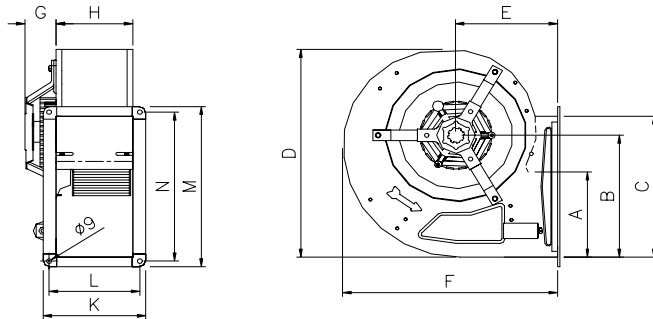
FAN TECHNICAL DATA

ID CODE	750009
FAN NAME	DS 12-5-9 3/4 BB
SUPPLY	230 V - 50 Hz
MOTOR	3/4 6PO BB (110344.11)
CAPACITOR	12,5 μ F
THERMAL PROTECTION	Incorporated
IP CLASS	44
THERMAL CLASS	B
CONFORMITY	CE
SPEED CONTROL	ESB5

NOMINAL INSTALLATION DATA

	Pressure (Pa)	Amps (A)	Abs.Power (W)	Max air T°(TM) (°C)
Minimum	50	4,1	830	50
Maximum	350	2,7	430	50

DIMENSIONS

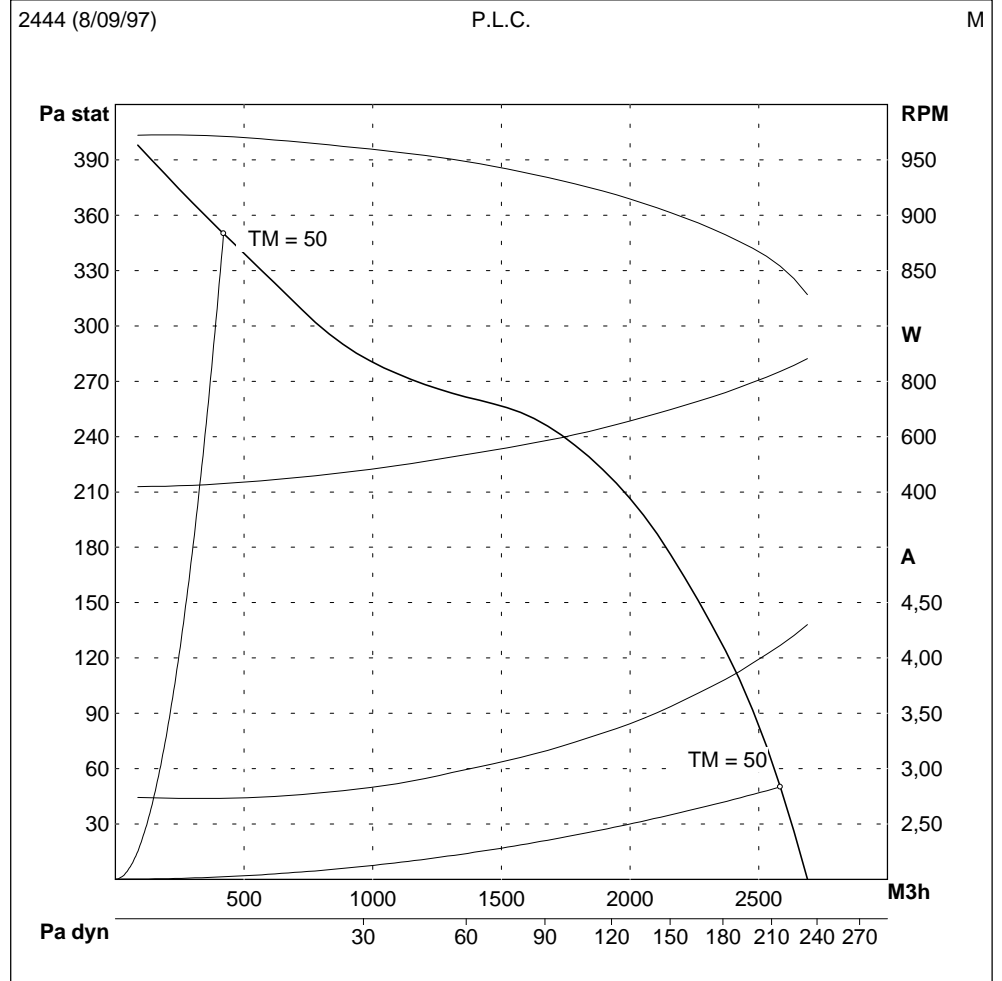


A	B	C	D	E	F	G	H	K	L	M	N
206	312	342	521	233	490	86	184	230	209	378	357

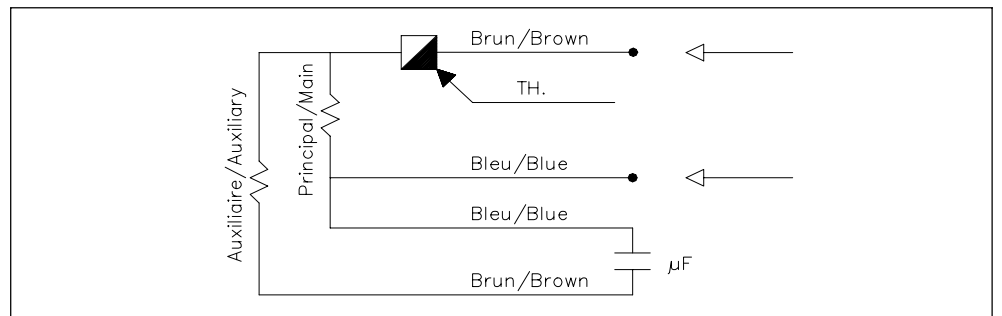
We are constantly working to make our products better and more reliable. Therefore we cannot guarantee data update.
Therefore, although we put a lot of care in the making of our documentation, we cannot be held responsible for any error and/or omissions that could have slipped in.

PERFORMANCE CURVES

measured in our laboratory according to AMCA/ASHRAE 210.85 fig.12



WIRING DIAGRAM



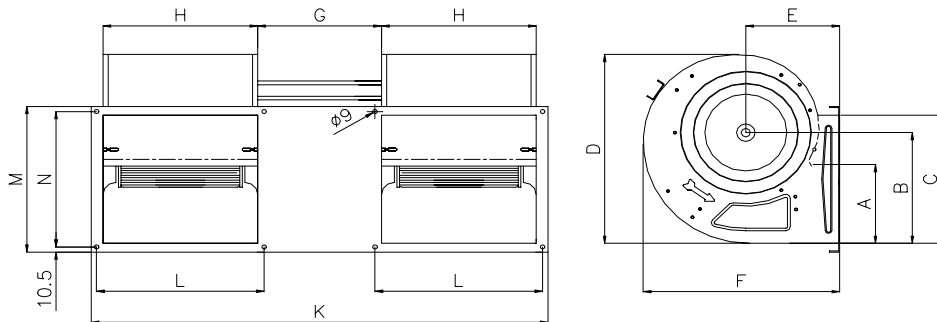
FAN TECHNICAL DATA

ID CODE	760000
FAN NAME	DP 133-220 1/2 2PO BB
SUPPLY	230 V - 50 Hz
MOTOR	1/2 2PO BB DA (E0062.00)
CAPACITOR	10 μ F
THERMAL PROTECTION	Incorporated
IP CLASS	44
THERMAL CLASS	F
CONFORMITY	CE
SPEED CONTROL	ES3

NOMINAL INSTALLATION DATA

	Pressure (Pa)	Amps (A)	Abs.Power (W)	Max air T°(TM) (°C)
Minimum	150	3	680	60
Maximum	400	1,7	360	55

DIMENSIONS

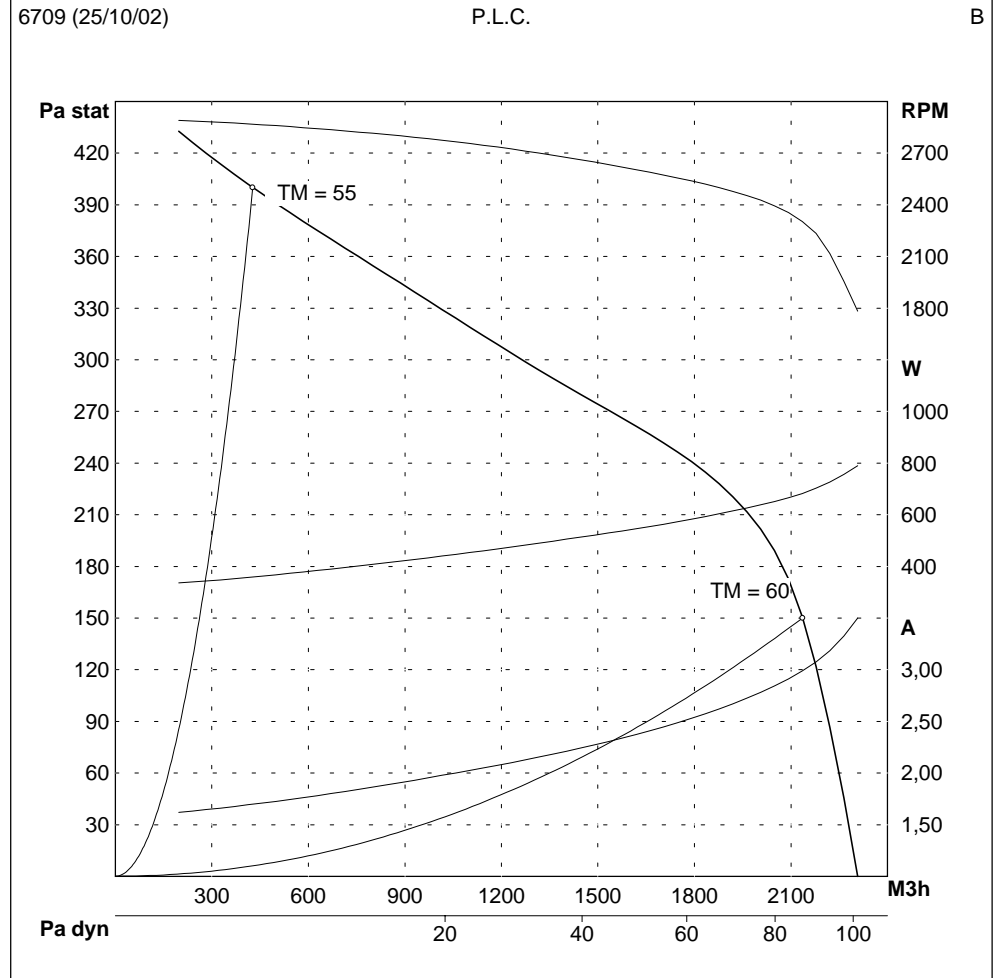


A	B	C	D	E	F	G	H	K	L	M	N
95	113	95	202	102	196	200	260	920	813	180	90

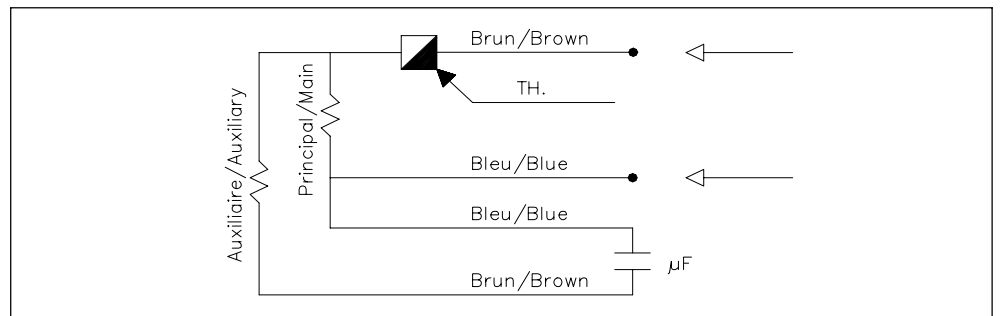
We are constantly working to make our products better and more reliable. Therefore we cannot guarantee data update.
Therefore, although we put a lot of care in the making of our documentation, we cannot be held responsible for any error and/or omissions that could have slipped in.

PERFORMANCE CURVES

measured in our laboratory according to AMCA/ASHRAE 210.85 fig.12



WIRING DIAGRAM



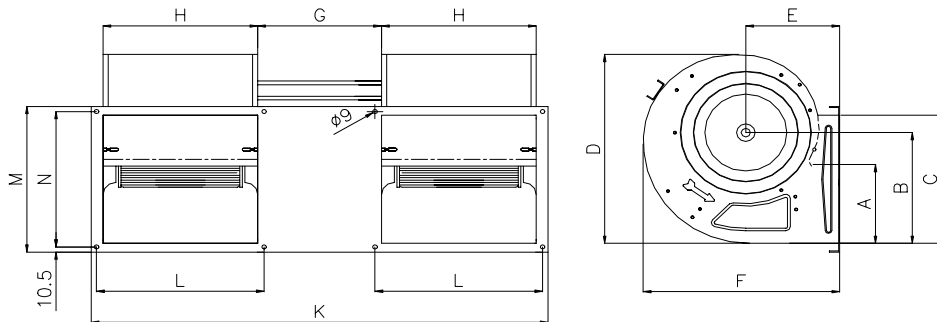
FAN TECHNICAL DATA

ID CODE	760003
FAN NAME	DP 146-220 73W SB
SUPPLY	230 V - 50 Hz
MOTOR	73W 4PO SB DA (110737.00)
CAPACITOR	4 μ F
THERMAL PROTECTION	Incorporated
IP CLASS	20
THERMAL CLASS	B
CONFORMITY	CE
SPEED CONTROL	ES3

NOMINAL INSTALLATION DATA

Pressure (Pa)	Amps (A)	Abs.Power (W)	Max air T°(TM) (°C)
Minimum	0	0,87	55
Maximum	100	0,66	45

DIMENSIONS

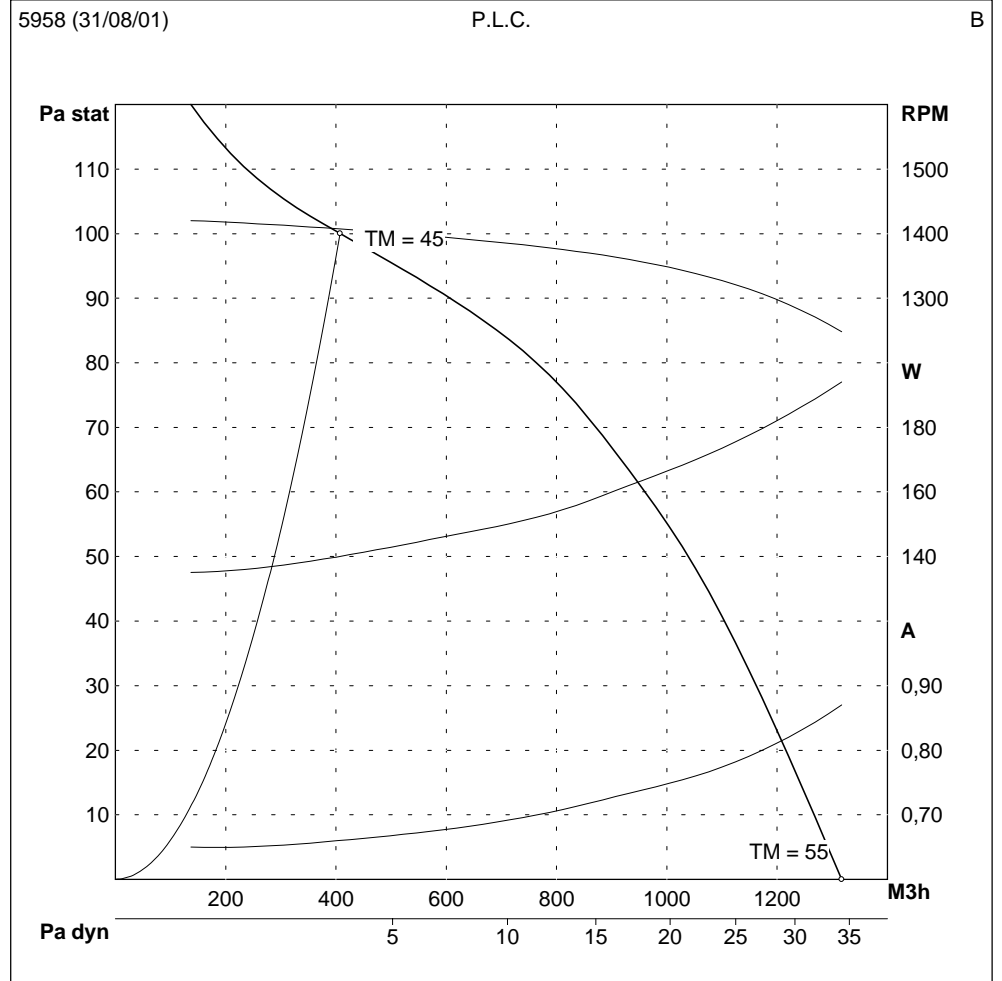


A	B	C	D	E	F	G	H	K	L	M	N
95	113	95	202	102	196	140	255	784	702	180	120

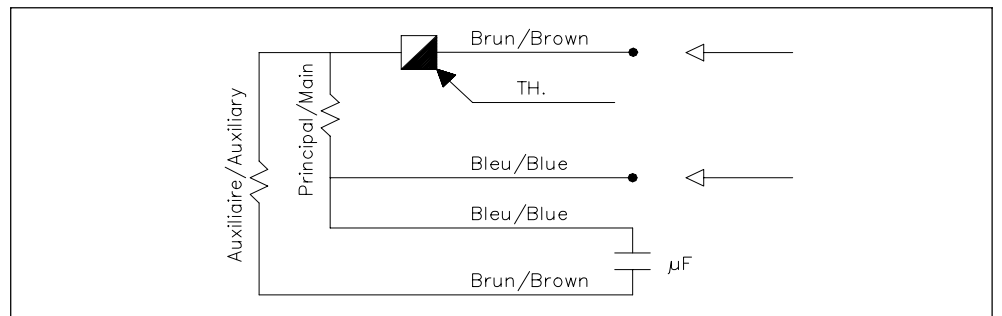
We are constantly working to make our products better and more reliable. Therefore we cannot guarantee data update.
Therefore, although we put a lot of care in the making of our documentation, we cannot be held responsible for any error and/or omissions that could have slipped in.

PERFORMANCE CURVES

measured in our laboratory according to AMCA/ASHRAE 210.85 fig.12



WIRING DIAGRAM



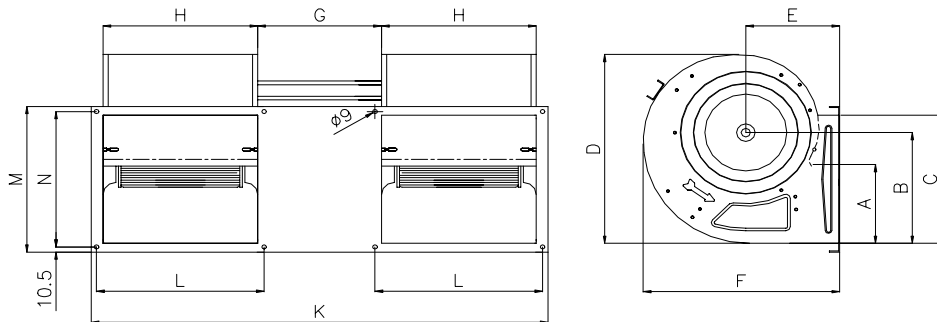
FAN TECHNICAL DATA

ID CODE	760004
FAN NAME	DP 6-6-14 TH 1/3 SB
SUPPLY	230 V - 50 Hz
MOTOR	1/3 4PO DA (110738.00)
CAPACITOR	6 μ F
THERMAL PROTECTION	Incorporated
IP CLASS	44
THERMAL CLASS	F
CONFORMITY	CE
SPEED CONTROL	ES3

NOMINAL INSTALLATION DATA

Pressure (Pa)	Amps (A)	Abs.Power (W)	Max air T°(TM) (°C)
Minimum	0	1,5	60
Maximum	180	0,96	60

DIMENSIONS

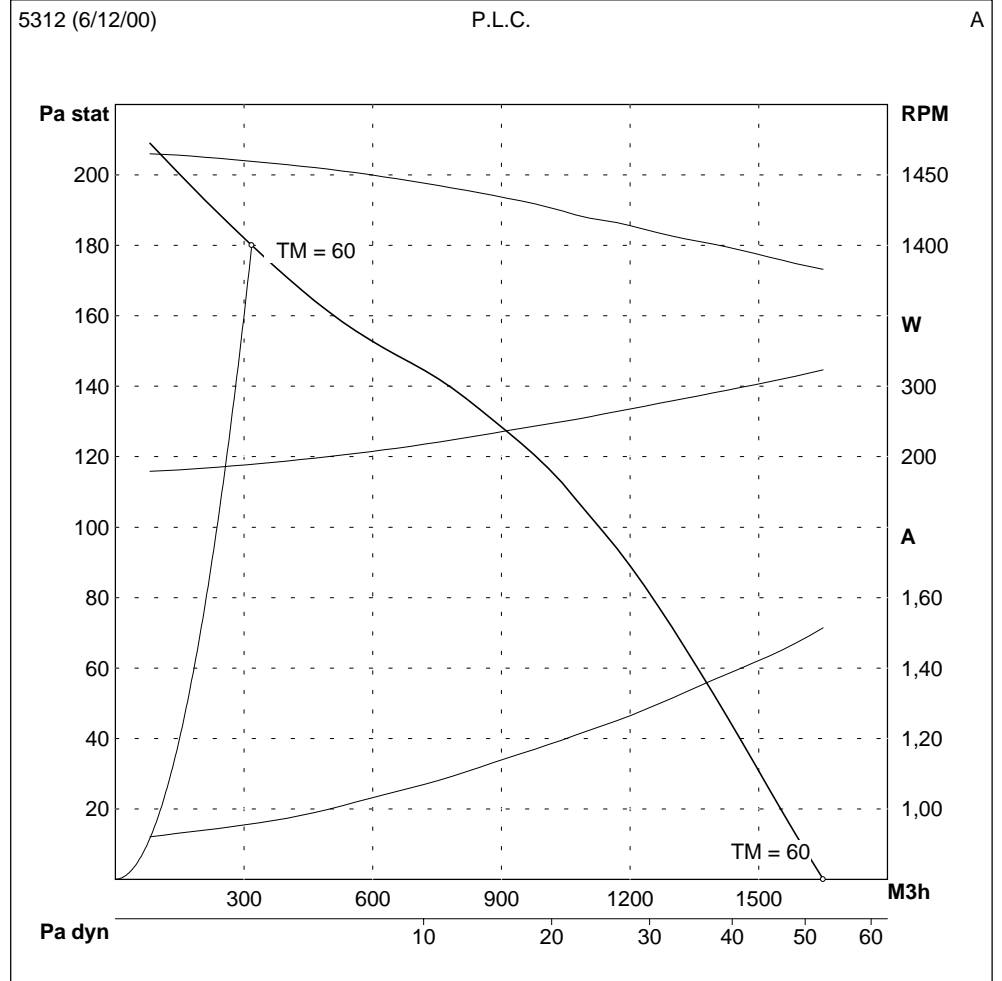


A	B	C	D	E	F	G	H	K	L	M	N
115	134	115	247	129	252	200	213				

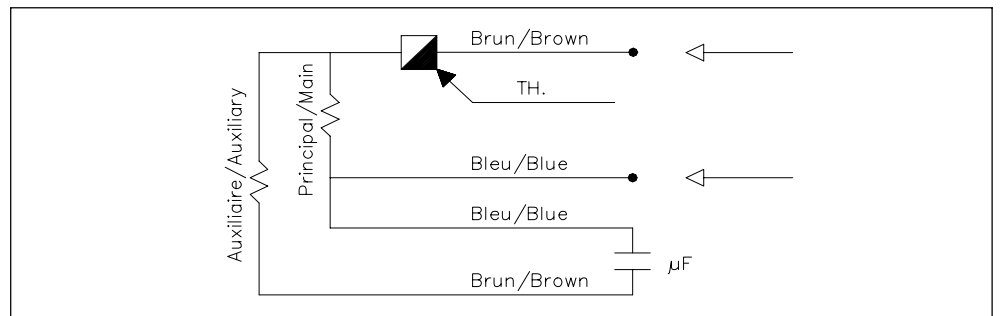
We are constantly working to make our products better and more reliable. Therefore we cannot guarantee data update.
Therefore, although we put a lot of care in the making of our documentation, we cannot be held responsible for any error and/or omissions that could have slipped in.

PERFORMANCE CURVES

measured in our laboratory according to AMCA/ASHRAE 210.85 fig.12



WIRING DIAGRAM



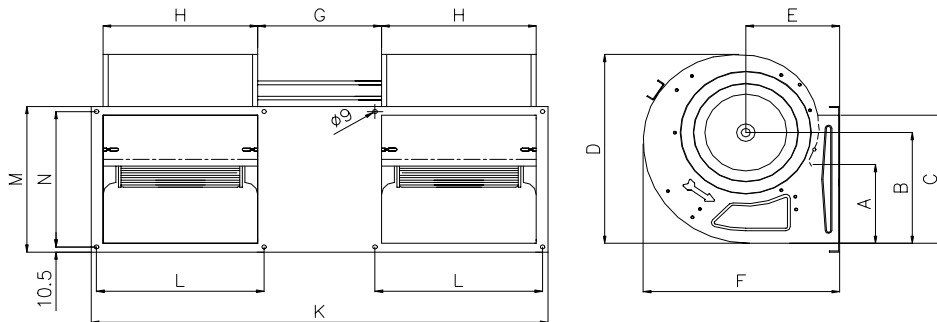
FAN TECHNICAL DATA

ID CODE	760005
FAN NAME	DP 6-6-14 1/3 SB
SUPPLY	230 V - 50 Hz
MOTOR	1/3 4PO DA (110738.00)
CAPACITOR	6 μ F
THERMAL PROTECTION	Incorporated
IP CLASS	44
THERMAL CLASS	F
CONFORMITY	CE
SPEED CONTROL	ES3

NOMINAL INSTALLATION DATA

Pressure (Pa)	Amps (A)	Abs.Power (W)	Max air T°(TM) (°C)
Minimum	50	1,9	420
Maximum	230	0,97	190

DIMENSIONS

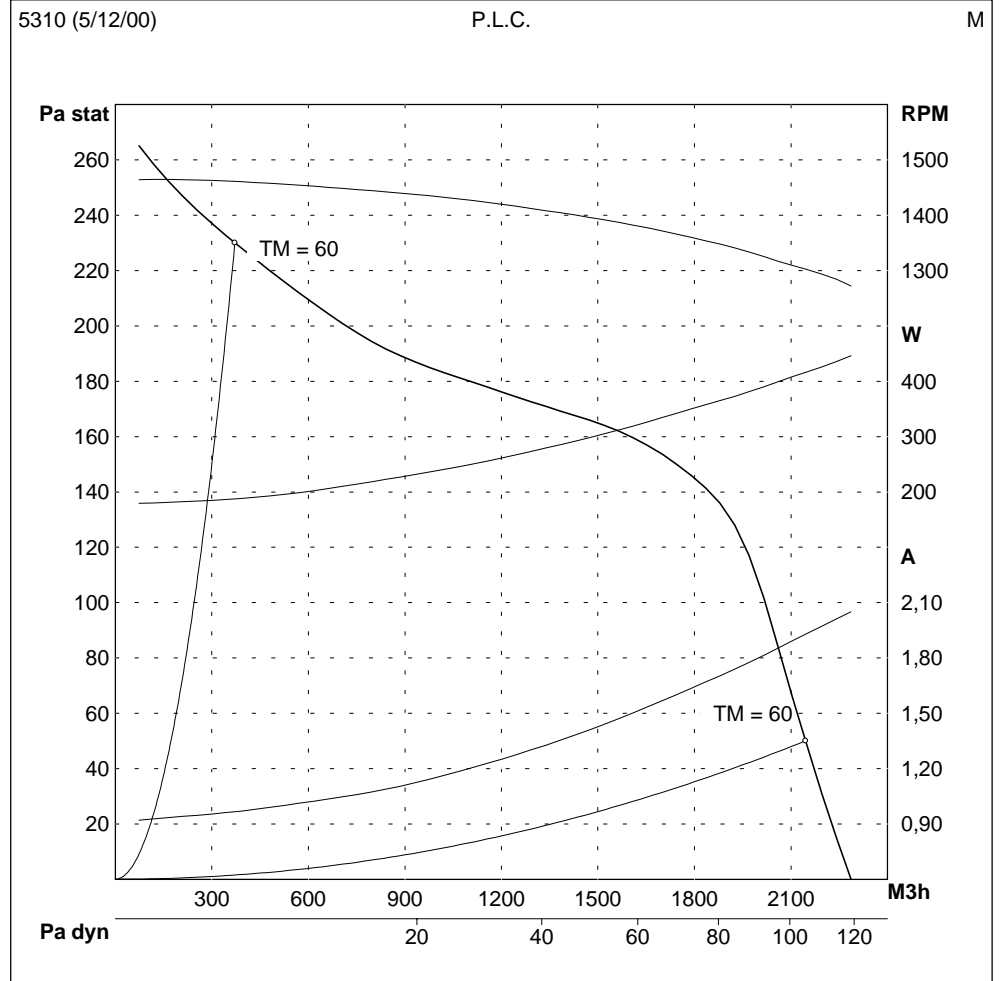


A	B	C	D	E	F	G	H	K	L	M	N
106	164	210	291	129	274	200	213	670	238	291	225

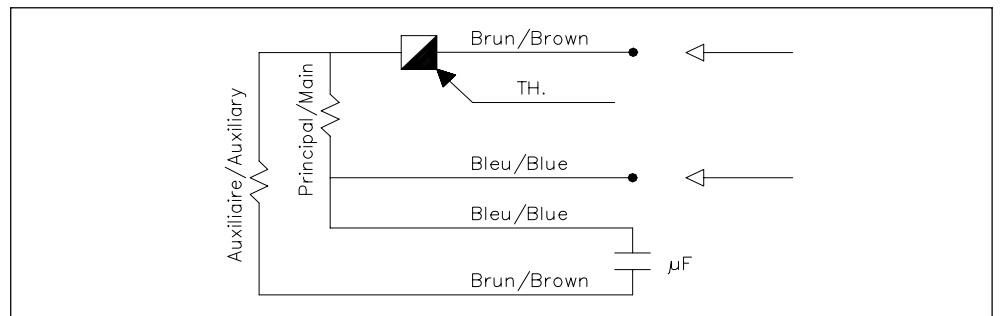
We are constantly working to make our products better and more reliable. Therefore we cannot guarantee data update.
Therefore, although we put a lot of care in the making of our documentation, we cannot be held responsible for any error and/or omissions that could have slipped in.

PERFORMANCE CURVES

measured in our laboratory according to AMCA/ASHRAE 210.85 fig.12



WIRING DIAGRAM



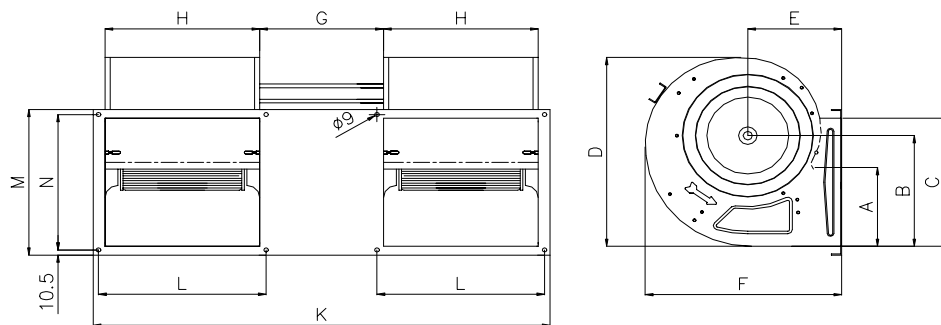
FAN TECHNICAL DATA

ID CODE	760007
FAN NAME	DP 7-7-14 1/3 SB
SUPPLY	230 V - 50 Hz
MOTOR	1/3 4PO DA (110738.00)
CAPACITOR	6 μ F
THERMAL PROTECTION	Incorporated
IP CLASS	44
THERMAL CLASS	F
CONFORMITY	CE
SPEED CONTROL	ES3

NOMINAL INSTALLATION DATA

	Pressure (Pa)	Amps (A)	Abs.Power (W)	Max air T°(TM) (°C)
Minimum	140	2	430	55
Maximum	260	1	200	55

DIMENSIONS

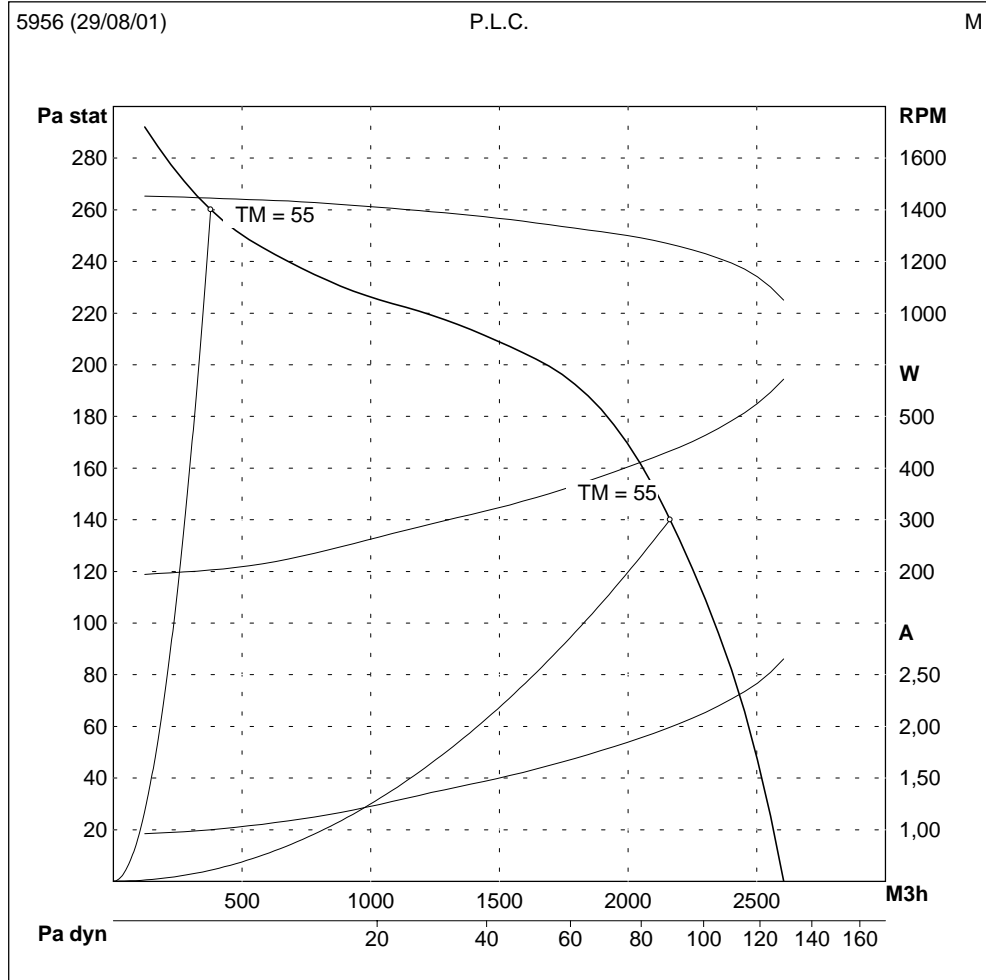


A	B	C	D	E	F	G	H	K	L	M	N
106	164	210	291	127	272	200	233	710	258	281	225

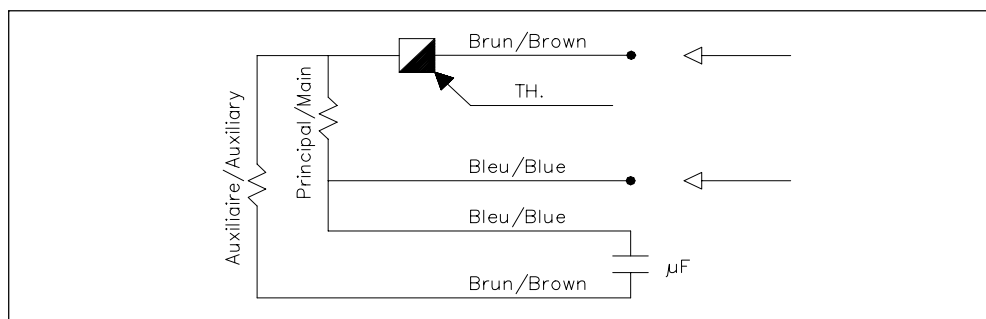
We are constantly working to make our products better and more reliable. Therefore we cannot guarantee data update.
Therefore, although we put a lot of care in the making of our documentation, we cannot be held responsible for any error and/or omissions that could have slipped in.

PERFORMANCE CURVES

measured in our laboratory according to AMCA/ASHRAE 210.85 fig.12



WIRING DIAGRAM



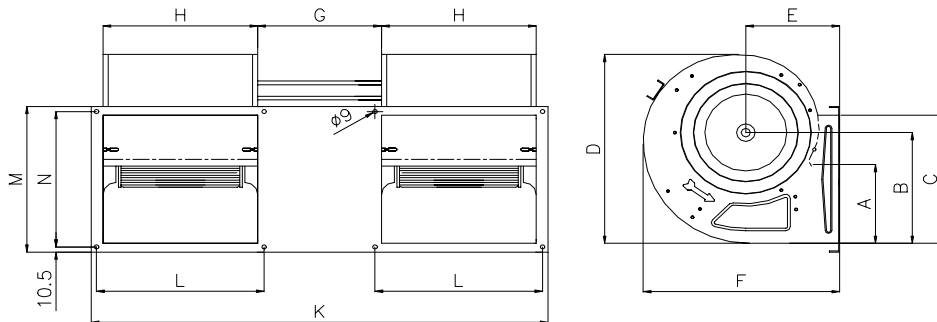
FAN TECHNICAL DATA

ID CODE	760008
FAN NAME	DP 9-7-14 TH 5/8 BB
SUPPLY	230 V - 50 Hz
MOTOR	5/8 4PO BB DA (110739.00)
CAPACITOR	14 µF
THERMAL PROTECTION	incorporated
IP CLASS	44
THERMAL CLASS	F
CONFORMITY	CE
SPEED CONTROL	ESB10

NOMINAL INSTALLATION DATA

Pressure (Pa)	Amps (A)	Abs.Power (W)	Max air T°(TM) (°C)
Minimum	0	5,1	60
Maximum	350	2,4	60

DIMENSIONS

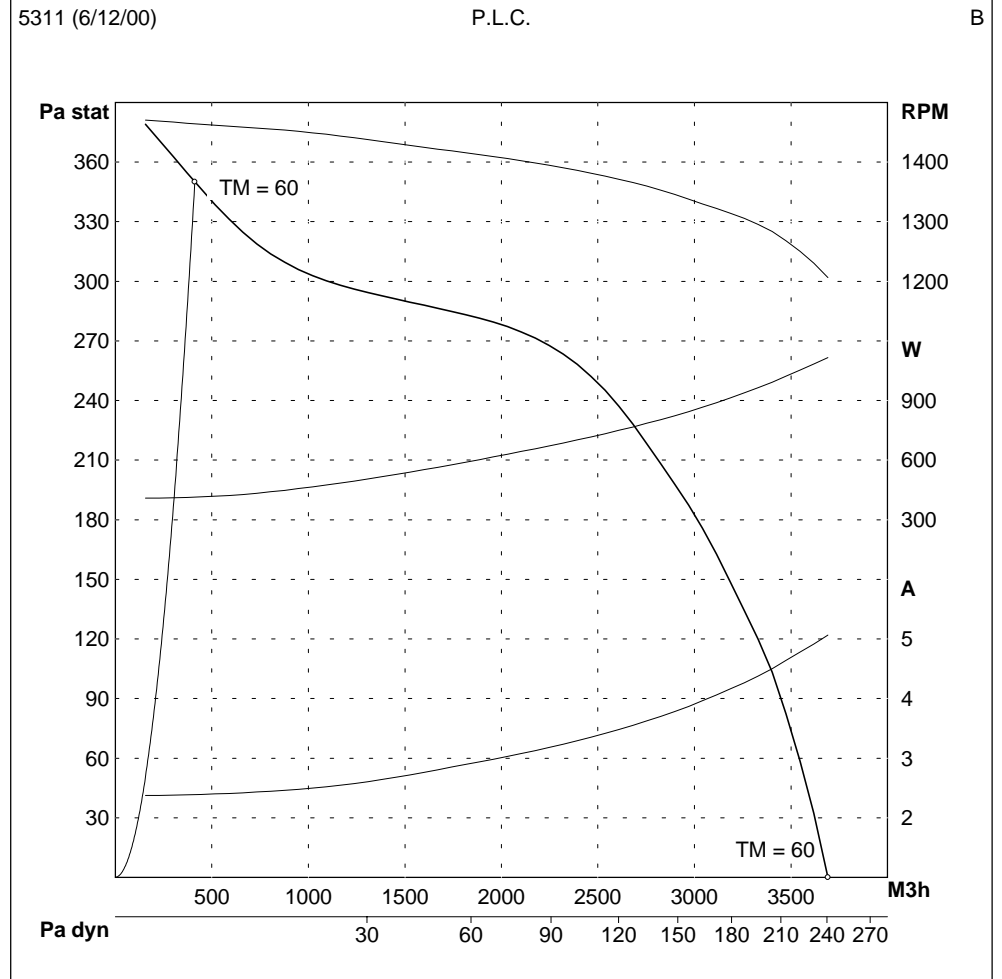


A	B	C	D	E	F	G	H	K	L	M	N
110	175	261	318	151	310	200	233	710	258	301	280

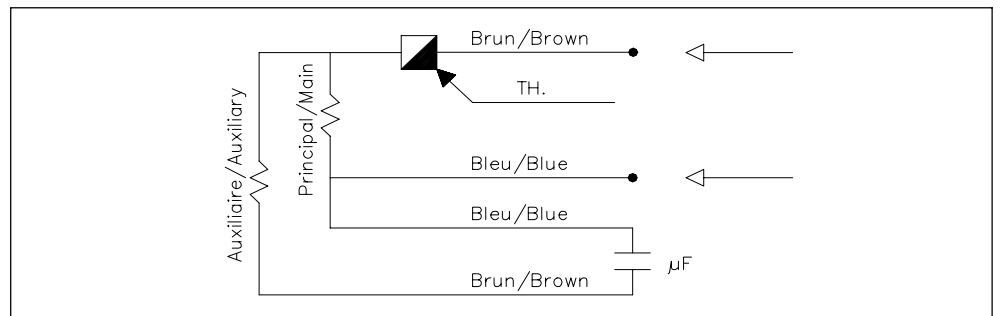
We are constantly working to make our products better and more reliable. Therefore we cannot guarantee data update.
Therefore, although we put a lot of care in the making of our documentation, we cannot be held responsible for any error and/or omissions that could have slipped in.

PERFORMANCE CURVES

measured in our laboratory according to AMCA/ASHRAE 210.85 fig.12



WIRING DIAGRAM



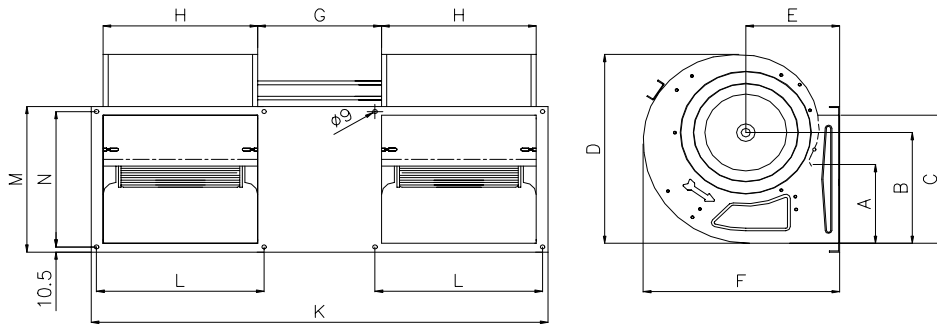
FAN TECHNICAL DATA

ID CODE	760010
FAN NAME	DP 9-9-14 TH 5/8 BB
SUPPLY	230 V - 50 Hz
MOTOR	5/8 4PO BB DA (110739.00)
CAPACITOR	14 μ F
THERMAL PROTECTION	incorporated
IP CLASS	44
THERMAL CLASS	F
CONFORMITY	CE
SPEED CONTROL	ESB10

NOMINAL INSTALLATION DATA

Pressure (Pa)	Amps (A)	Abs.Power (W)	Max air T°(TM) (°C)
Minimum	5,6	1230	60
Maximum	2,4	440	60

DIMENSIONS

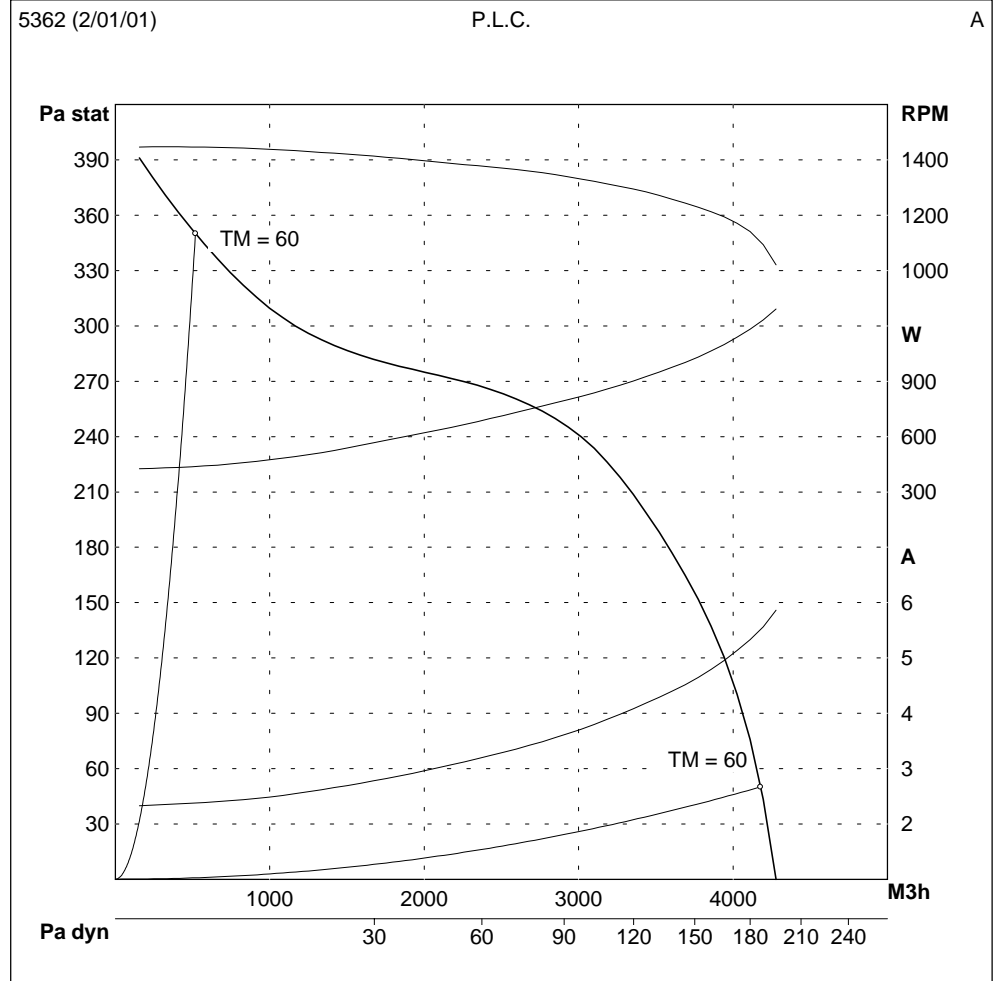


A	B	C	D	E	F	G	H	K	L	M	N
110	175	261	318	151	310	200	300	844	325	301	280

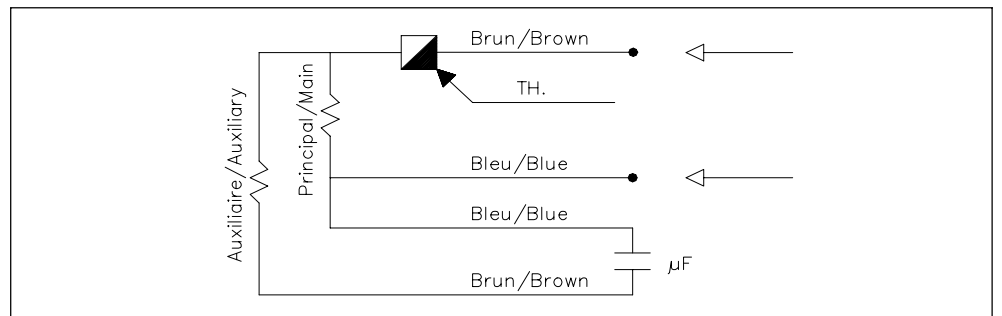
We are constantly working to make our products better and more reliable. Therefore we cannot guarantee data update.
Therefore, although we put a lot of care in the making of our documentation, we cannot be held responsible for any error and/or omissions that could have slipped in.

PERFORMANCE CURVES

measured in our laboratory according to AMCA/ASHRAE 210.85 fig.12



WIRING DIAGRAM



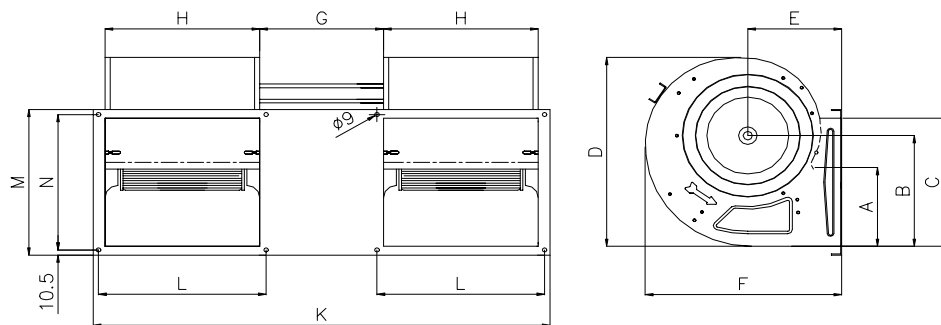
FAN TECHNICAL DATA

ID CODE	760014
FAN NAME	DP 9-9-14 5/8 BB
SUPPLY	230 V - 50 Hz
MOTOR	5/8 4PO BB DA (110739.00)
CAPACITOR	14 μ F
THERMAL PROTECTION	
IP CLASS	
THERMAL CLASS	
CONFORMITY	CE
SPEED CONTROL	ESB10

NOMINAL INSTALLATION DATA

	Pressure (Pa)	Amps (A)	Abs.Power (W)	Max air T°(TM) (°C)
Minimum	200	5,9	1290	60
Maximum	550	3	610	65

DIMENSIONS

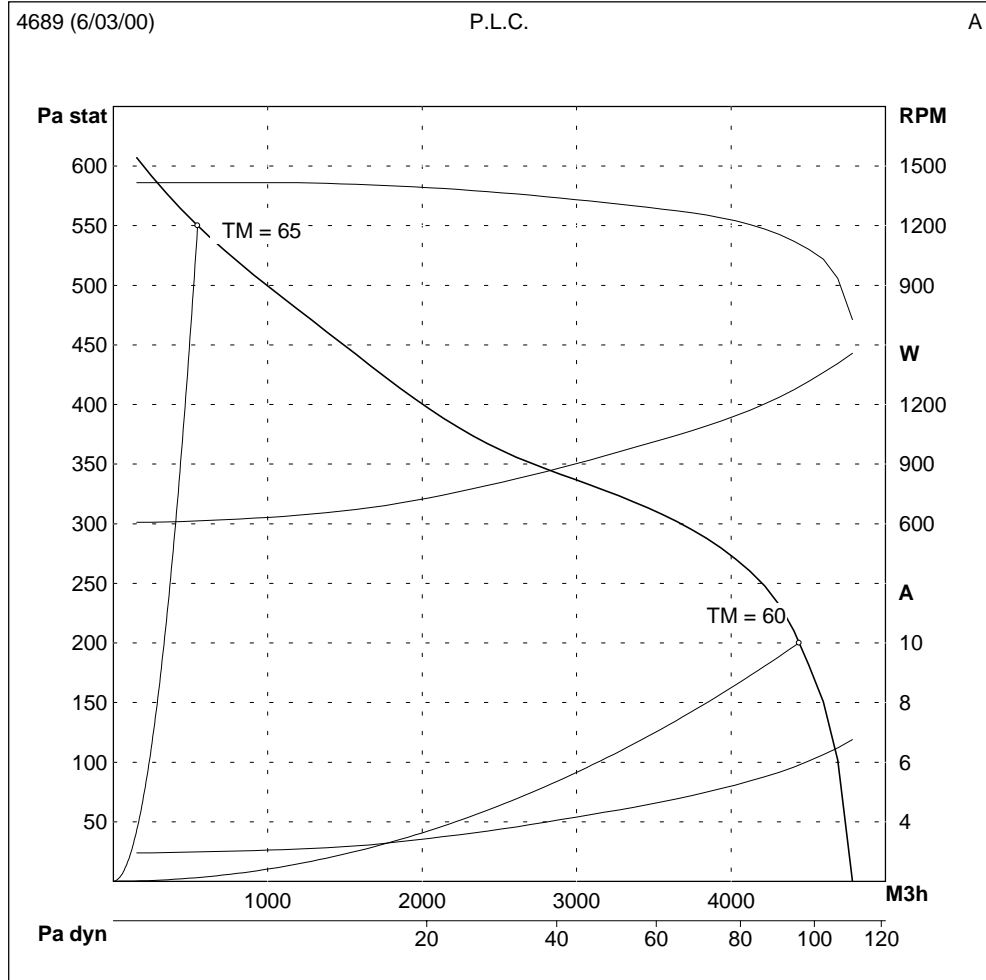


A	B	C	D	E	F	G	H	K	L	M	N
163	229	265	391	184	383	200	300	844	325	301	280

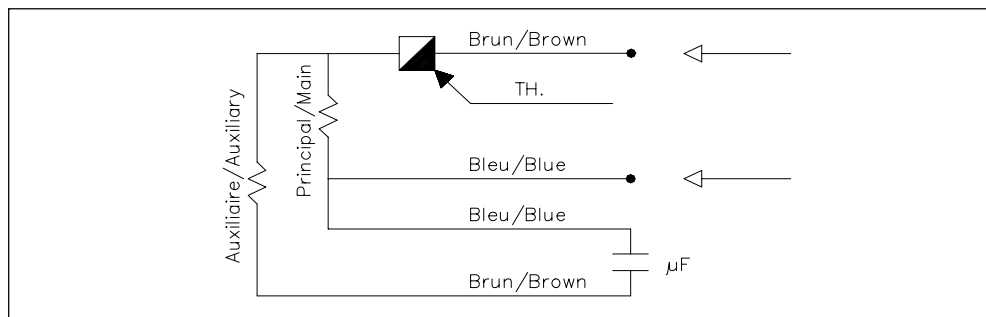
We are constantly working to make our products better and more reliable. Therefore we cannot guarantee data update.
Therefore, although we put a lot of care in the making of our documentation, we cannot be held responsible for any error and/or omissions that could have slipped in.

PERFORMANCE CURVES

measured in our laboratory according to AMCA/ASHRAE 210.85 fig.12



WIRING DIAGRAM



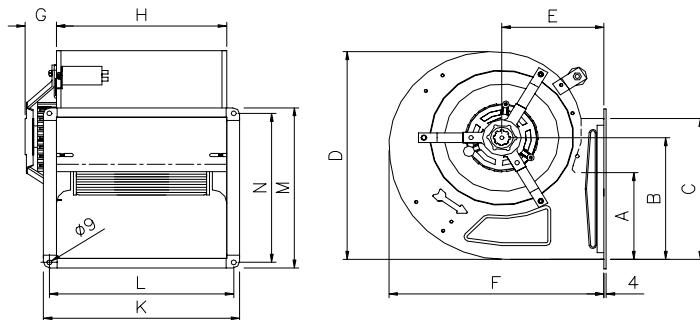
FAN TECHNICAL DATA

ID CODE	740007
FAN NAME	DDL 76-86 (LM 59)
SUPPLY	230 V - 50 Hz
MOTOR	LM59, 6 mm
CAPACITOR	-
THERMAL PROTECTION	
IP CLASS	20
THERMAL CLASS	F
CONFORMITY	CE
SPEED CONTROL	ES3

NOMINAL INSTALLATION DATA

	Pressure (Pa)	Amps (A)	Abs.Power (W)	Max air T°(TM) (°C)
Minimum	0	0,38	37	65
Maximum	100	0,35	31	65

DIMENSIONS

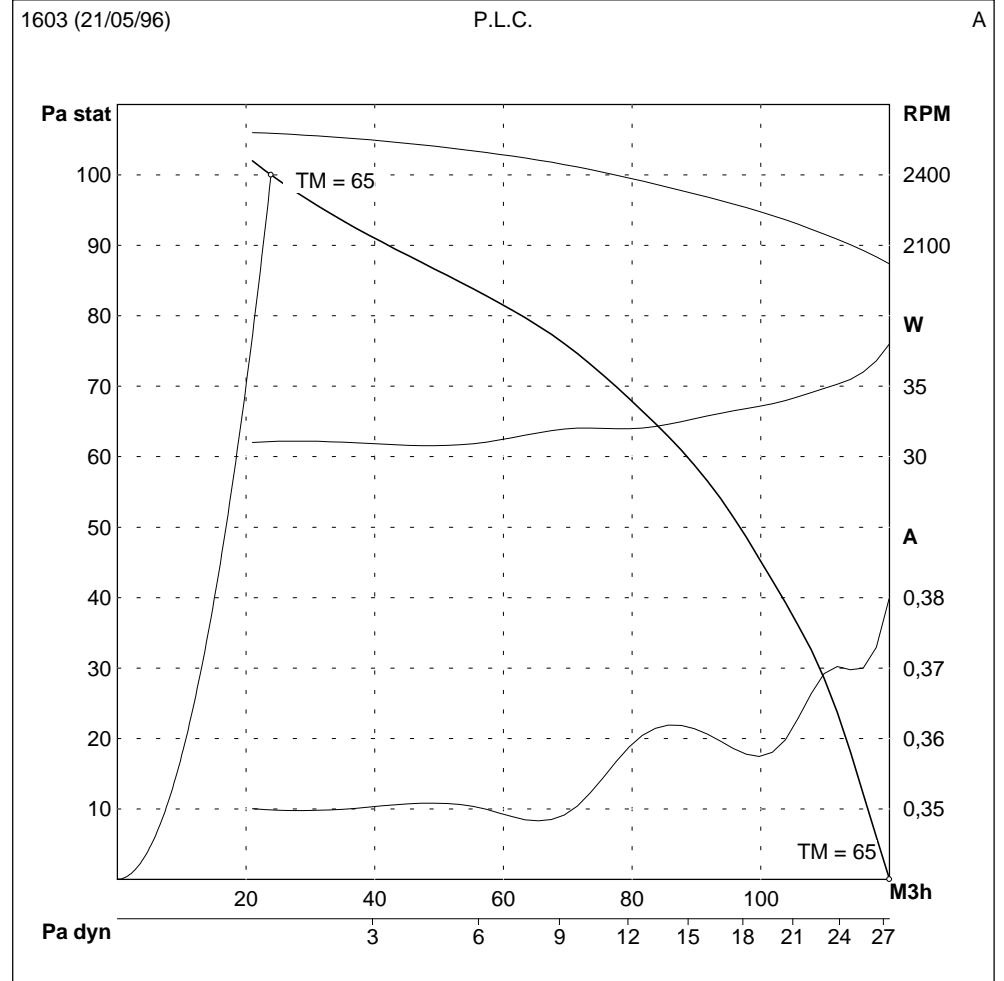


A	B	C	D	E	F	G	H	K	L	M	N
47	68	47	119	56	113	60	105				

We are constantly working to make our products better and more reliable. Therefore we cannot guarantee data update.
Therefore, although we put a lot of care in the making of our documentation, we cannot be held responsible for any error and/or omissions that could have slipped in.

PERFORMANCE CURVES

measured in our laboratory according to AMCA/ASHRAE 210.85 fig.12



WIRING DIAGRAM



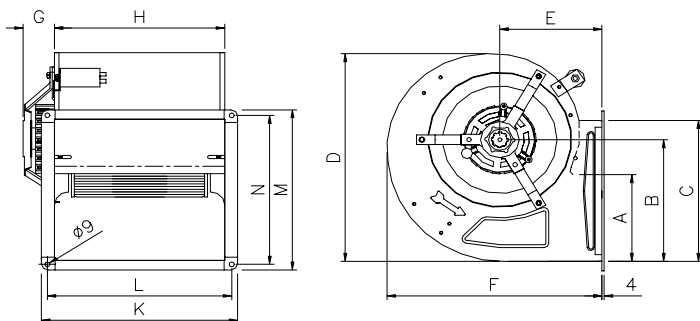
FAN TECHNICAL DATA

ID CODE	740009
FAN NAME	DDL 96-96 (LM 51)
SUPPLY	230 V - 50 Hz
MOTOR	LM51, 6 mm
CAPACITOR	-
THERMAL PROTECTION	
IP CLASS	20
THERMAL CLASS	F
CONFORMITY	CE
SPEED CONTROL	ES3

NOMINAL INSTALLATION DATA

	Pressure (Pa)	Amps (A)	Abs.Power (W)	Max air T°(TM) (°C)
Minimum	0	0,75	86	60
Maximum	200	0,64	61	60

DIMENSIONS

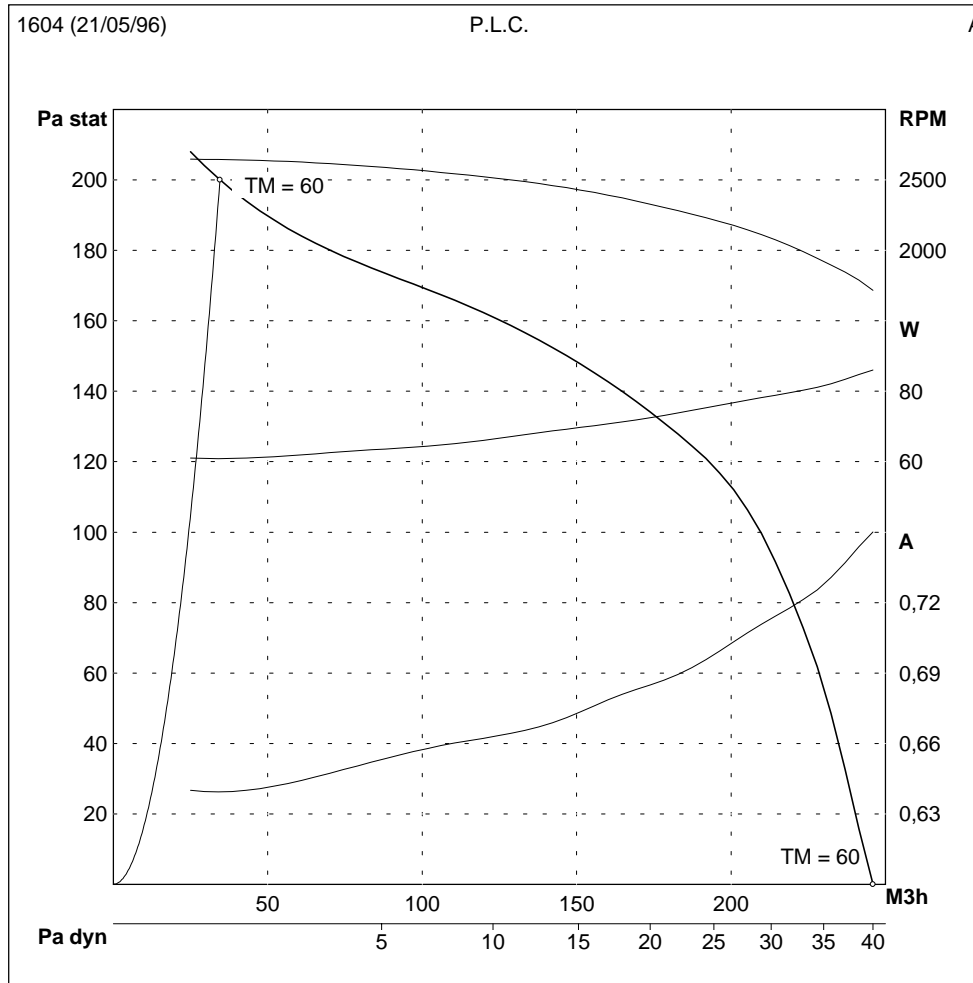


A	B	C	D	E	F	G	H	K	L	M	N
67	97	67	173	76	160	65	125				

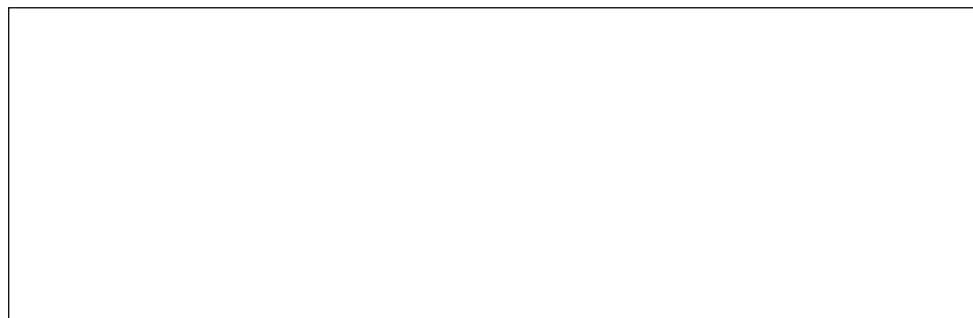
We are constantly working to make our products better and more reliable. Therefore we cannot guarantee data update.
Therefore, although we put a lot of care in the making of our documentation, we cannot be held responsible for any error and/or omissions that could have slipped in.

PERFORMANCE CURVES

measured in our laboratory according to AMCA/ASHRAE 210.85 fig.12



WIRING DIAGRAM



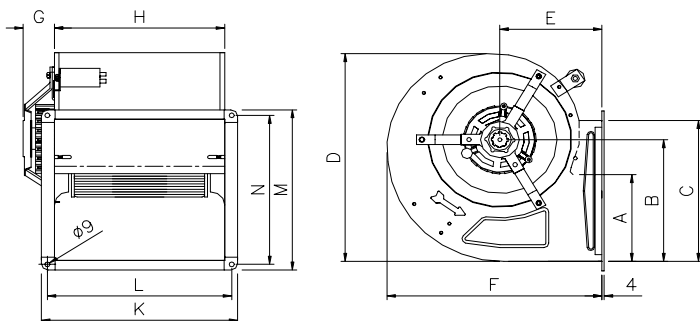
FAN TECHNICAL DATA

ID CODE	740042
FAN NAME	DDL 133-190 I/O 2 Po
SUPPLY	230 V - 50 Hz
MOTOR	DDL 133-190 2PO I/O 1S (XE2005.01)
CAPACITOR	6 μ F
THERMAL PROTECTION	Incorporated
IP CLASS	44
THERMAL CLASS	F
CONFORMITY	CE
SPEED CONTROL	ES3

NOMINAL INSTALLATION DATA

	Pressure (Pa)	Amps (A)	Abs.Power (W)	Max air T°(TM) (°C)
Minimum	100	1,1	260	60
Maximum	380	0,64	143	60

DIMENSIONS

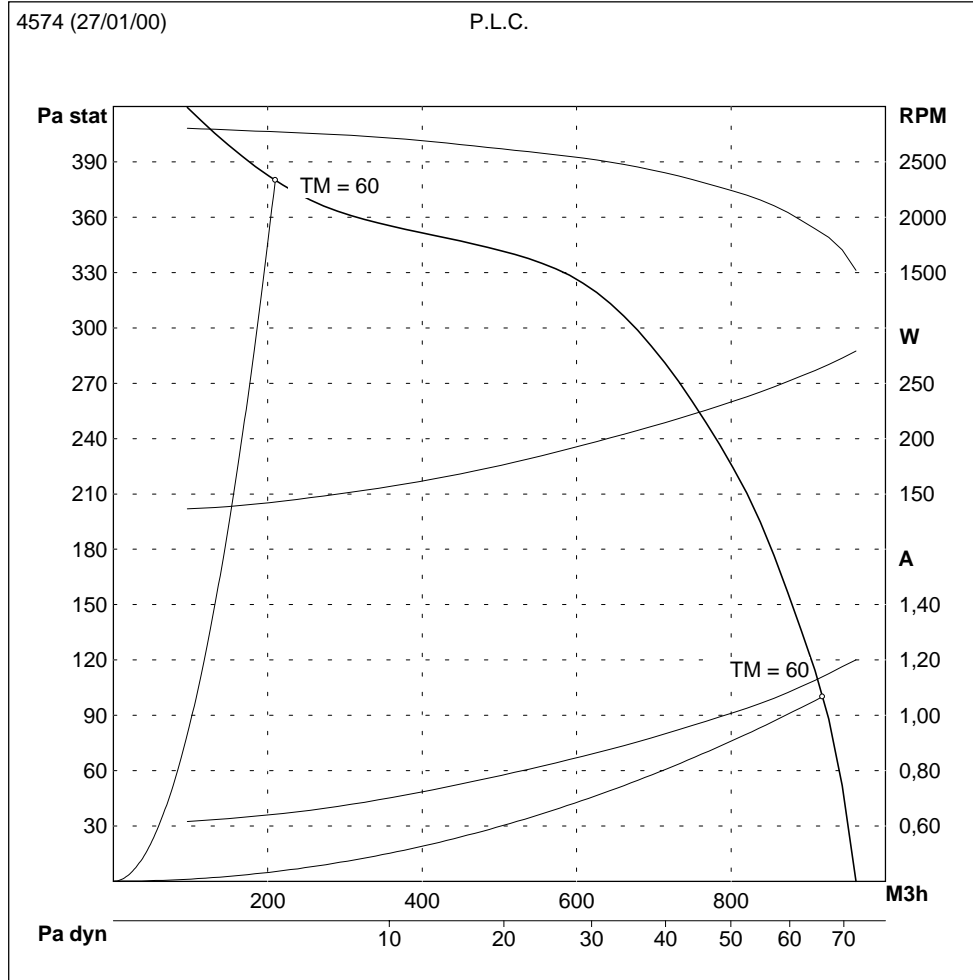


A	B	C	D	E	F	G	H	K	L	M	N
105	114	105	206	103	206	0	232	0	0	0	0

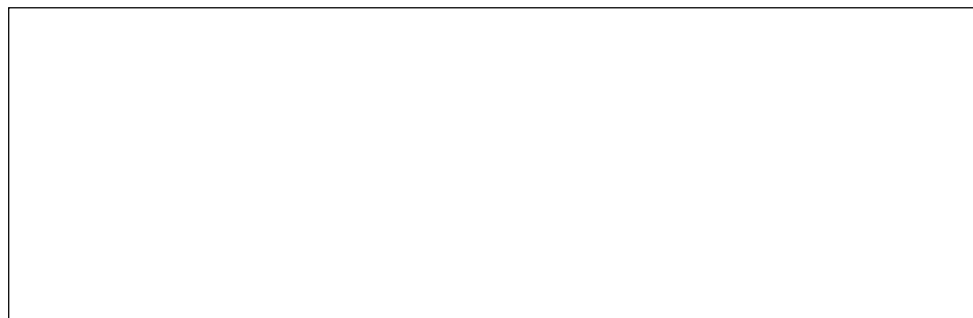
We are constantly working to make our products better and more reliable. Therefore we cannot guarantee data update.
Therefore, although we put a lot of care in the making of our documentation, we cannot be held responsible for any error and/or omissions that could have slipped in.

PERFORMANCE CURVES

measured in our laboratory according to AMCA/ASHRAE 210.85 fig.12



WIRING DIAGRAM



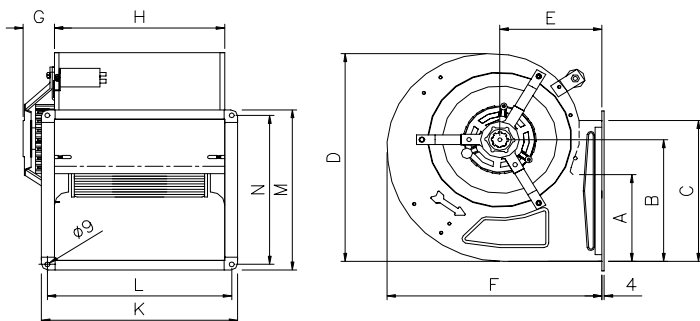
FAN TECHNICAL DATA

ID CODE	740030
FAN NAME	DDL 133-200 I/O
SUPPLY	230 V - 50 Hz
MOTOR	DDL 133-200 I/O 1S (XE4017.01)
CAPACITOR	2 μ F
THERMAL PROTECTION	
IP CLASS	44
THERMAL CLASS	B
CONFORMITY	CE
SPEED CONTROL	ES3

NOMINAL INSTALLATION DATA

	Pressure (Pa)	Amps (A)	Abs.Power (W)	Max air T°(TM) (°C)
Minimum	0	0,4	91	55
Maximum	105	0,22	50	60

DIMENSIONS

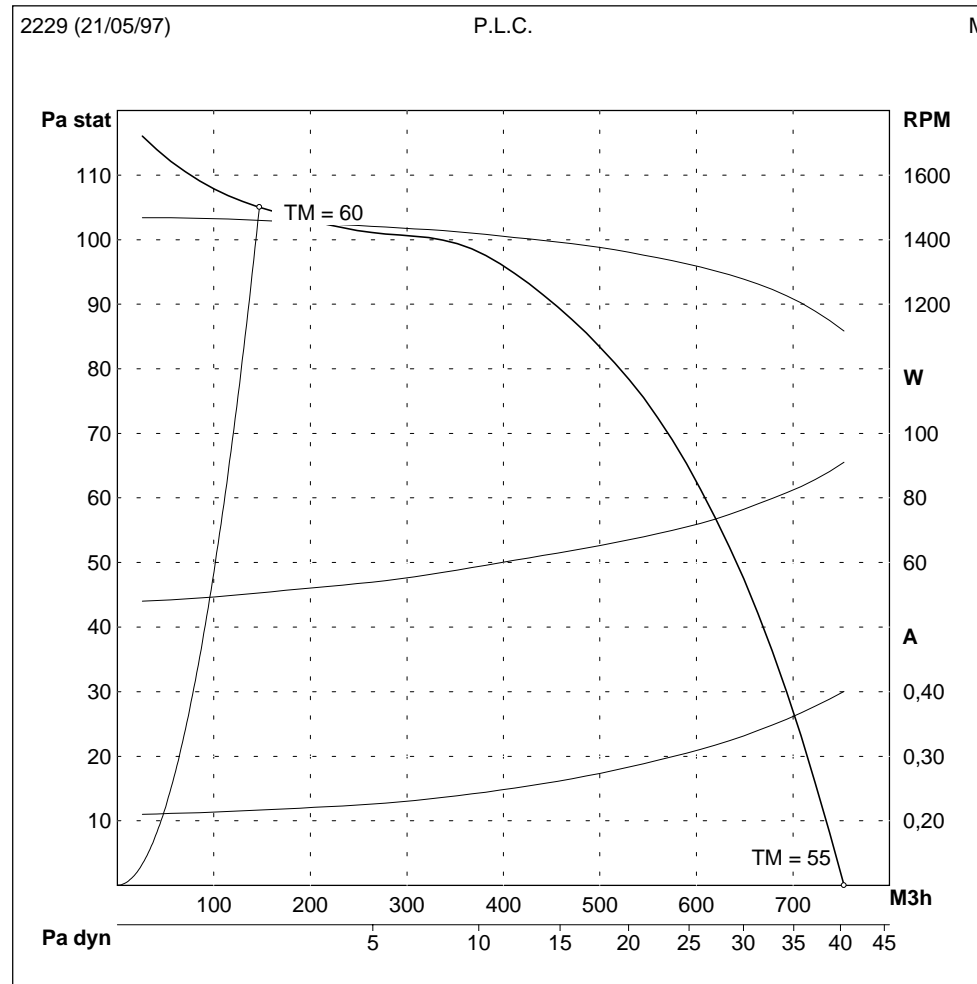


A	B	C	D	E	F	G	H	K	L	M	N
110	114	110	206	97	200	0	232	285	260	110	60

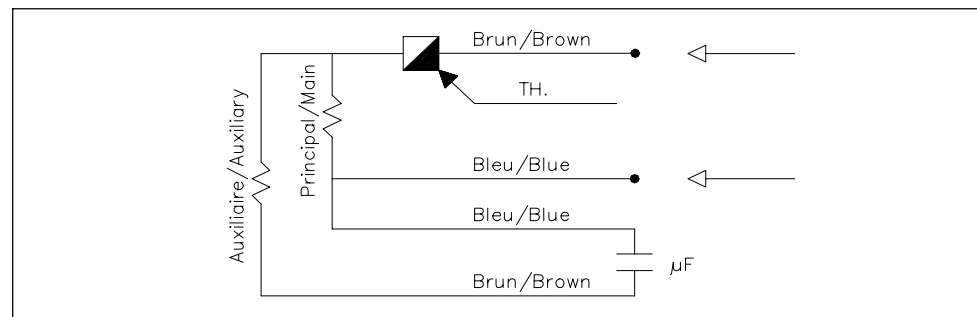
We are constantly working to make our products better and more reliable. Therefore we cannot guarantee data update.
Therefore, although we put a lot of care in the making of our documentation, we cannot be held responsible for any error and/or omissions that could have slipped in.

PERFORMANCE CURVES

measured in our laboratory according to AMCA/ASHRAE 210.85 fig.12



WIRING DIAGRAM



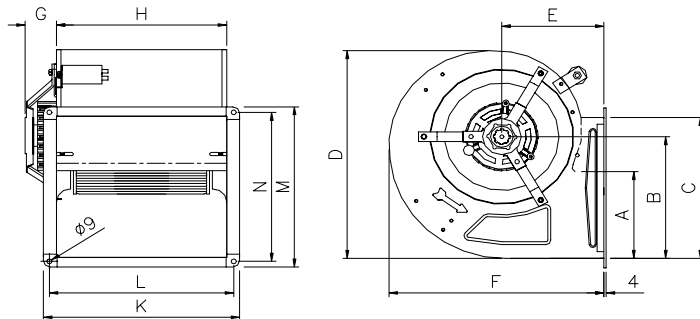
FAN TECHNICAL DATA

ID CODE	740011
FAN NAME	DDL 146-190 I/O
SUPPLY	230 V - 50 Hz
MOTOR	DDL 146-190 I/O 1S (XE4016.02)
CAPACITOR	2.5 µF
THERMAL PROTECTION	Incorporated
IP CLASS	44
THERMAL CLASS	B
CONFORMITY	CE
SPEED CONTROL	ES3

NOMINAL INSTALLATION DATA

	Pressure (Pa)	Amps (A)	Abs.Power (W)	Max air T°(TM) (°C)
Minimum	50	0,54	118	50
Maximum	120	0,36	72	50

DIMENSIONS

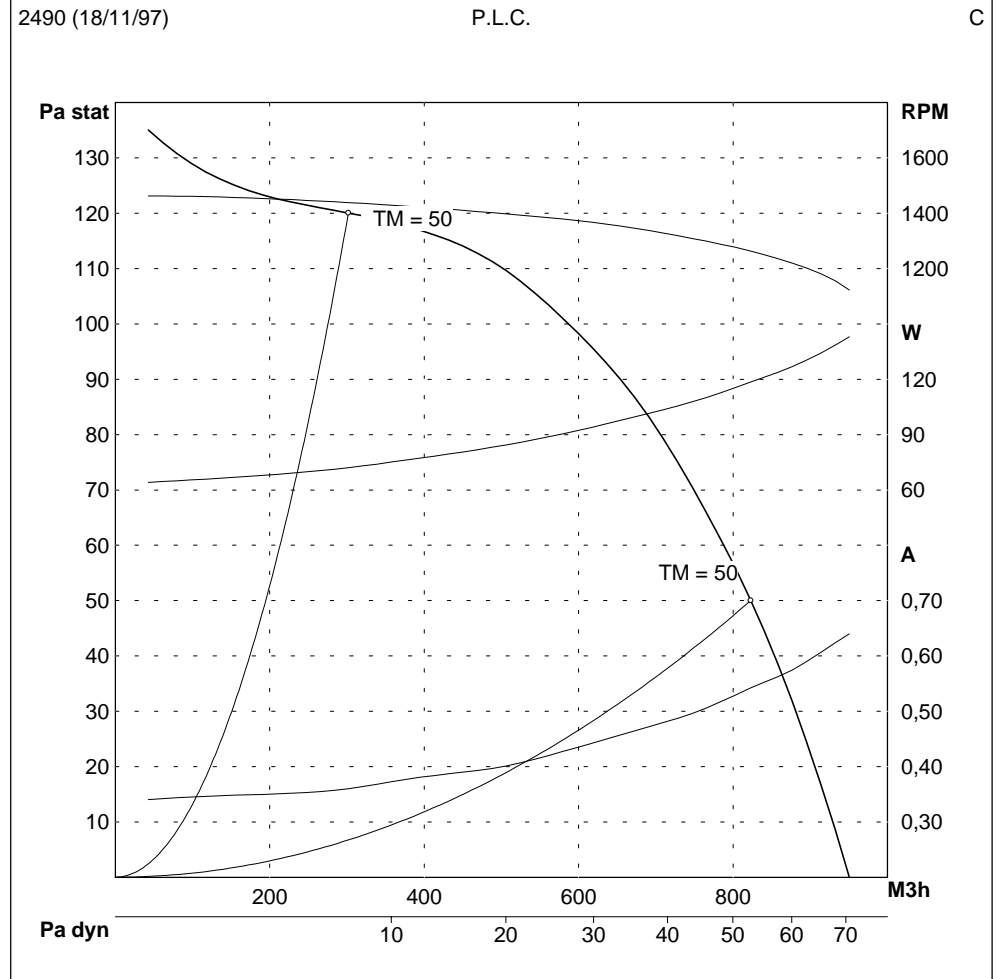


A	B	C	D	E	F	G	H	K	L	M	N
105	114	105	206	103	206	0	232	0	0	0	0

We are constantly working to make our products better and more reliable. Therefore we cannot guarantee data update.
Therefore, although we put a lot of care in the making of our documentation, we cannot be held responsible for any error and/or omissions that could have slipped in.

PERFORMANCE CURVES

measured in our laboratory according to AMCA/ASHRAE 210.85 fig.12



WIRING DIAGRAM

